

Automatic   
Manual

Recipe Name AI203 WATER 300C Saturat  
Data Log Interval 00 00 00 125  
Created 6-Aug-12 6:03:32 am  
Recipe Length 0000:13:13.003

New  
Load  
Save  
Run

Step Library  
Chamber 1

Edit  
New  
Copy  
Delete

- 1. pump
- 2. pre heat
- 3. set up pressure
- 4. Repeat 25
- 5. dose TMA
- 6. Purge TMA
- 7. Water Pulse
- 8. Purge Water
- 9. Water pump
- 10. set up Ar flow
- 11. Loop
- 12. pump
- \*

Navigation icons: up, down, search, and other controls.

Empty area for Step Library or Chamber 1 content.

Navigation icons: up, down, search, and other controls.

# Process Step Editor

Step Name

OK  Cancel

START STOP PAUSE

STEP TIME

PUMP TO PRESSURE

IGNORE TOLERANCE

LOG INTERVAL

Total Steps	Recipe Length	Total Cycles
<input type="text"/>	<input type="text"/>	<input type="text"/>
Completed	Time Left	Completed
<input type="text"/>	<input type="text"/>	<input type="text"/>

PROCESS MODE

TURBO  ROUGH

TABLE HEATER Deg.C

HEATER READY

APC CONTROLLER

Set Pressure   
 Chamber Pressure

Set Position   
 Valve Position

Pressure  Position

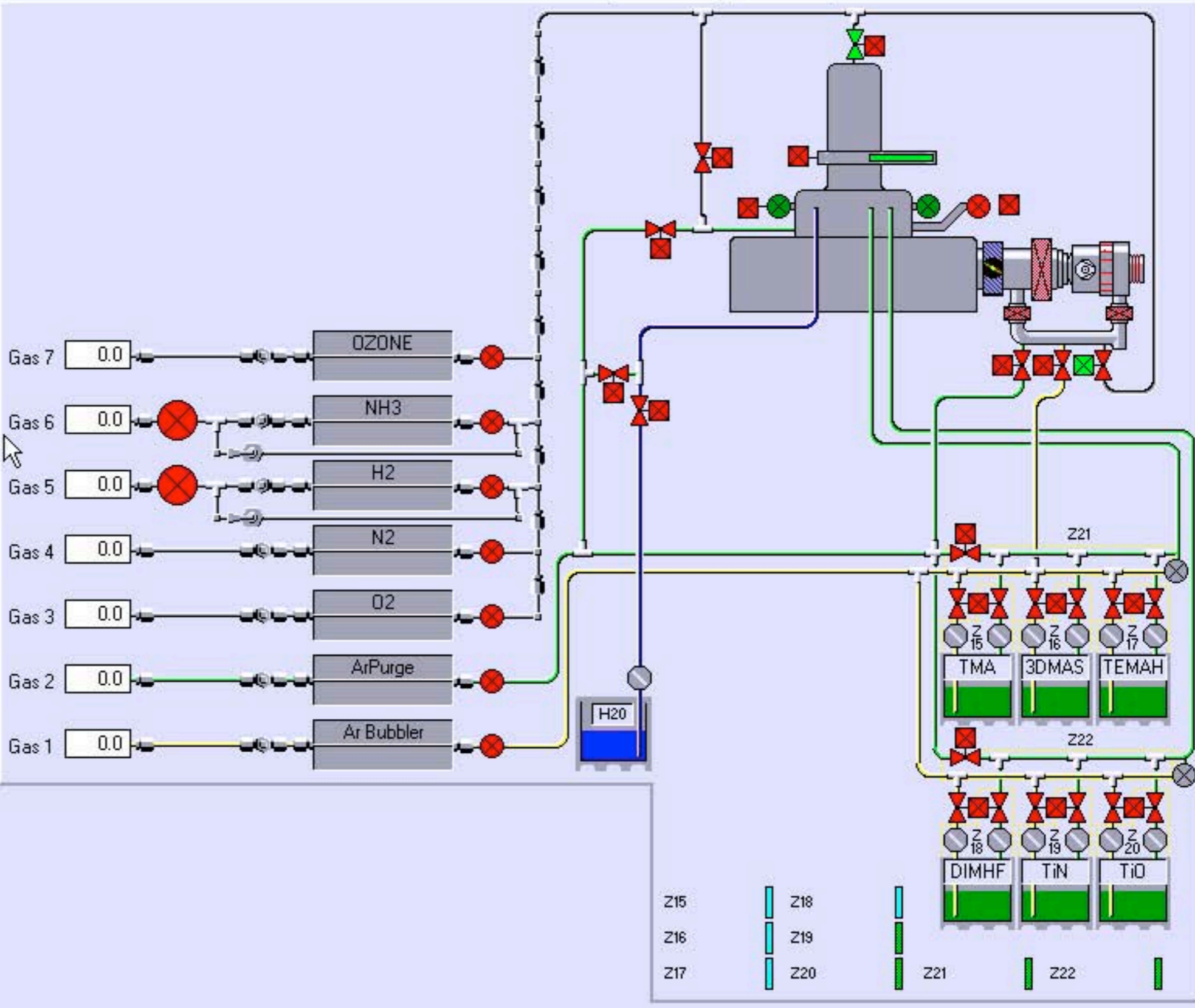
RF GENERATOR

Forward Power   
 Reflected Power

RF AUTOMATCH

CAPACITOR 1  CAPACITOR 2

AUTO  MANUAL  HOLD



# Process Step Editor

Step Name

OK  Cancel

START STOP PAUSE

STEP TIME

PUMP TO PRESSURE

IGNORE TOLERANCE

LOG INTERVAL

Total Steps	Recipe Length	Total Cycles
<input type="text"/>	<input type="text"/>	<input type="text"/>
Completed	Time Left	Completed
<input type="text"/>	<input type="text"/>	<input type="text"/>

PROCESS MODE

TURBO  ROUGH

TABLE HEATER Deg.C

HEATER READY

APC CONTROLLER

Set Pressure   
Chamber Pressure

Set Position   
Valve Position

Pressure  Position

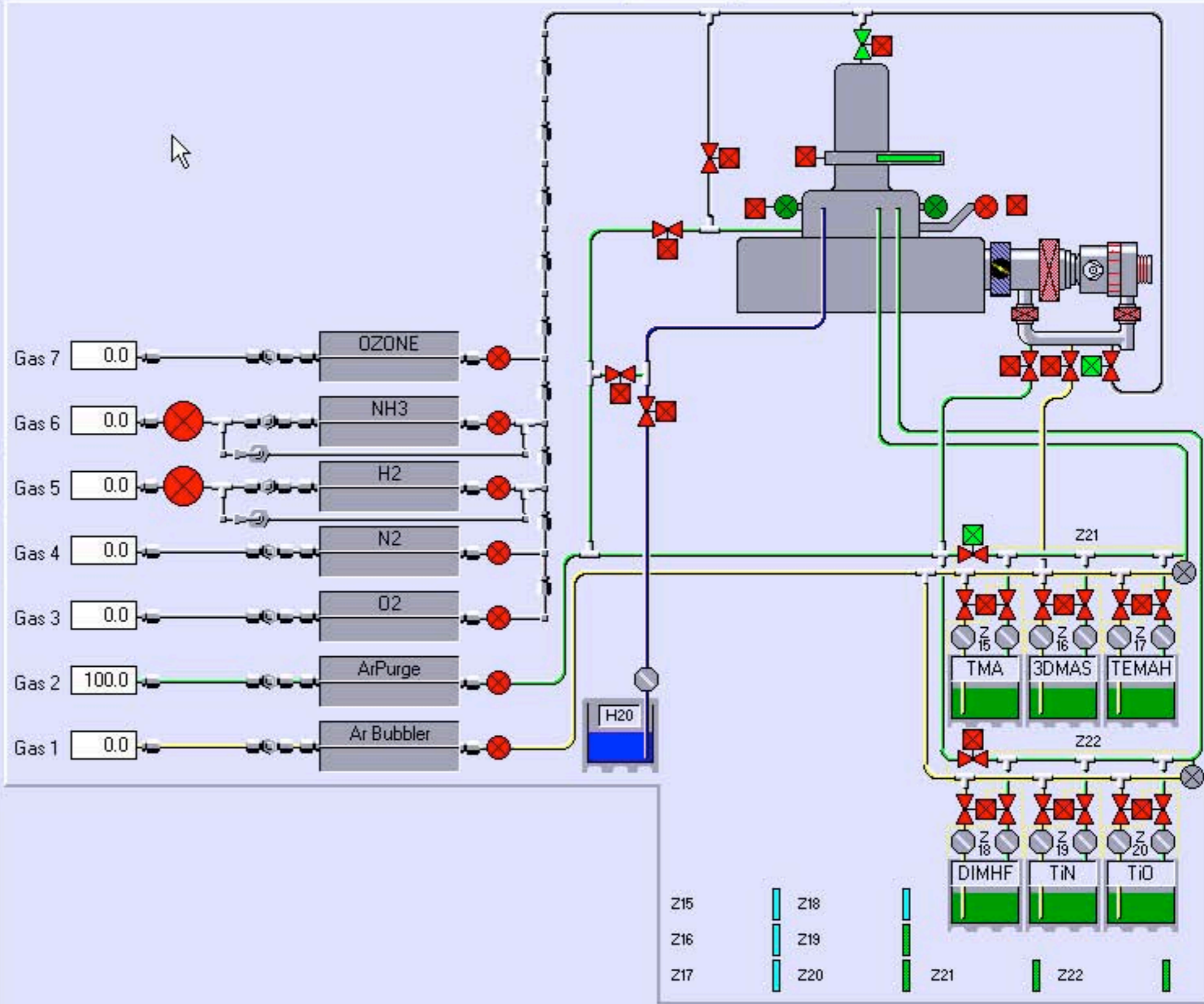
RF GENERATOR

Forward Power   
Reflected Power

RF AUTOMATCH

CAPACITOR 1  CAPACITOR 2

AUTO  MANUAL  HOLD



# Process Step Editor

Step Name

OK  Cancel

START STOP PAUSE

STEP TIME

PUMP TO PRESSURE

IGNORE TOLERANCE

LOG INTERVAL

Total Steps	Recipe Length	Total Cycles
<input type="text"/>	<input type="text"/>	<input type="text"/>
Completed	Time Left	Completed
<input type="text"/>	<input type="text"/>	<input type="text"/>

PROCESS MODE

TURBO  ROUGH

TABLE HEATER Deg.C

HEATER READY

APC CONTROLLER

Set Pressure   
Chamber Pressure

Set Position   
Valve Position

Pressure  Position

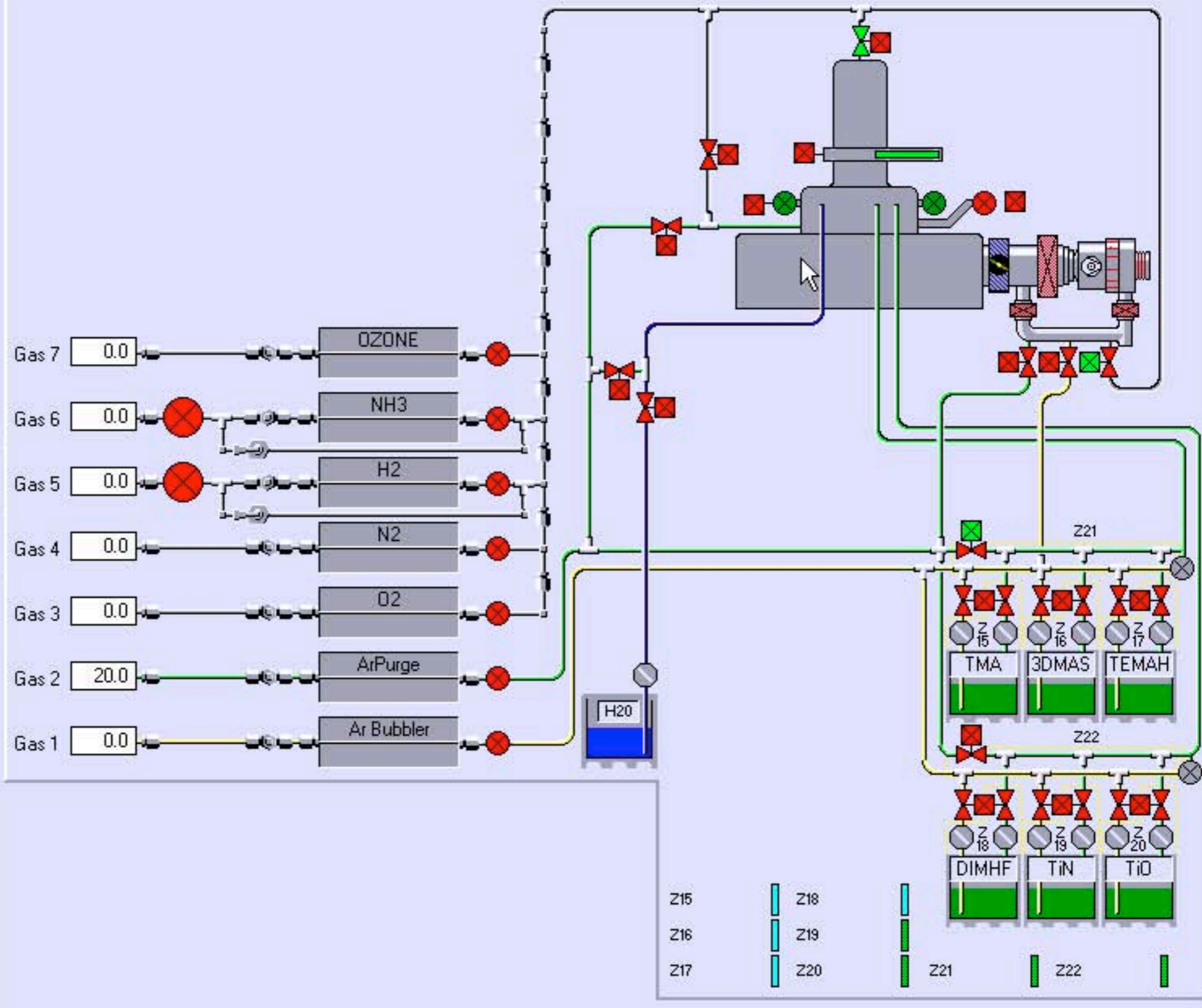
RF GENERATOR

Forward Power   
Reflected Power

RF AUTOMATCH

CAPACITOR 1  CAPACITOR 2

AUTO  MANUAL  HOLD



# Process Step Editor

Step Name

OK  Cancel

START STOP PAUSE



PUMP TO PRESSURE

IGNORE TOLERANCE

LOG INTERVAL

STEP TIME

Total Steps Recipe Length Total Cycles

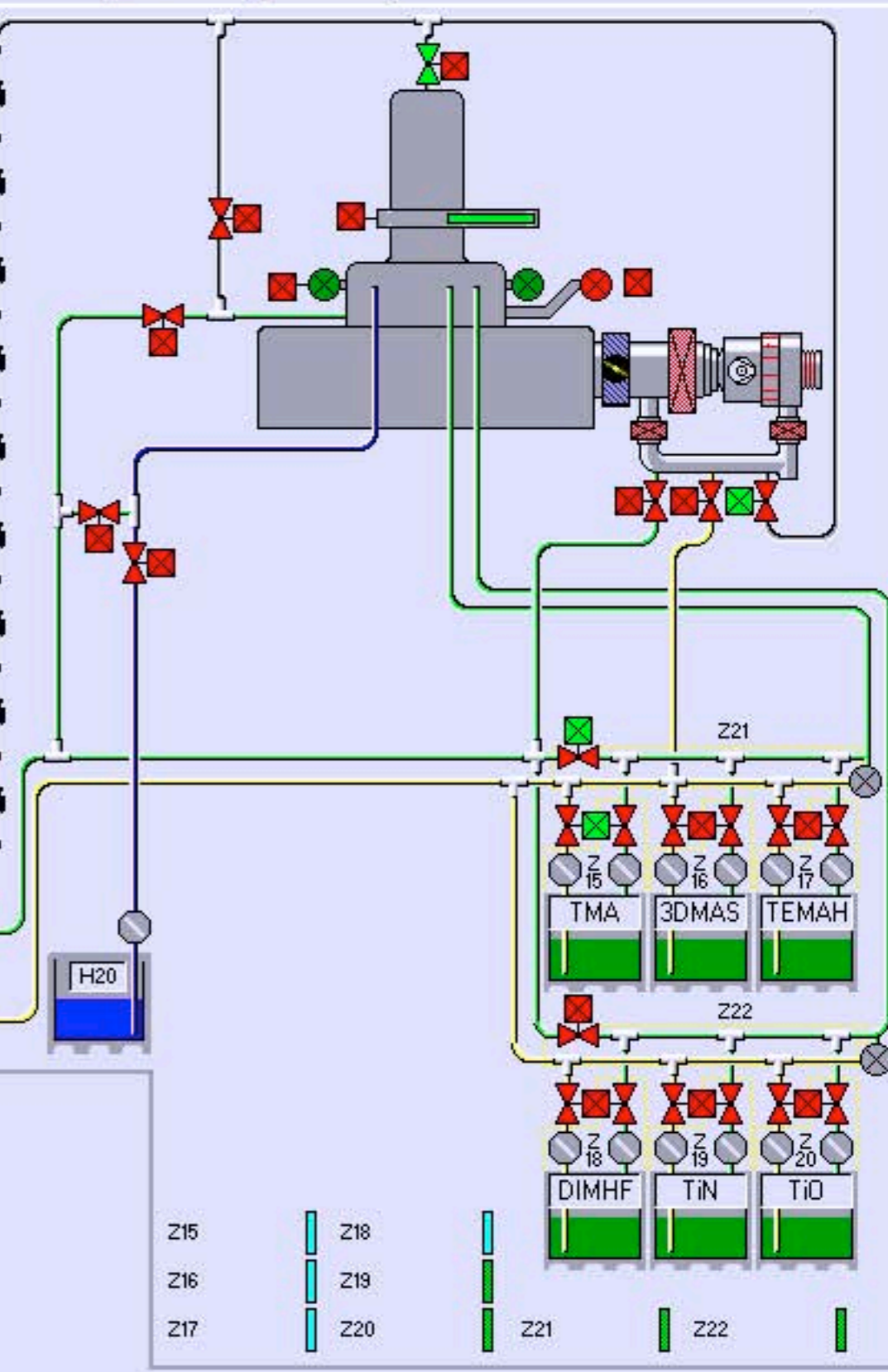
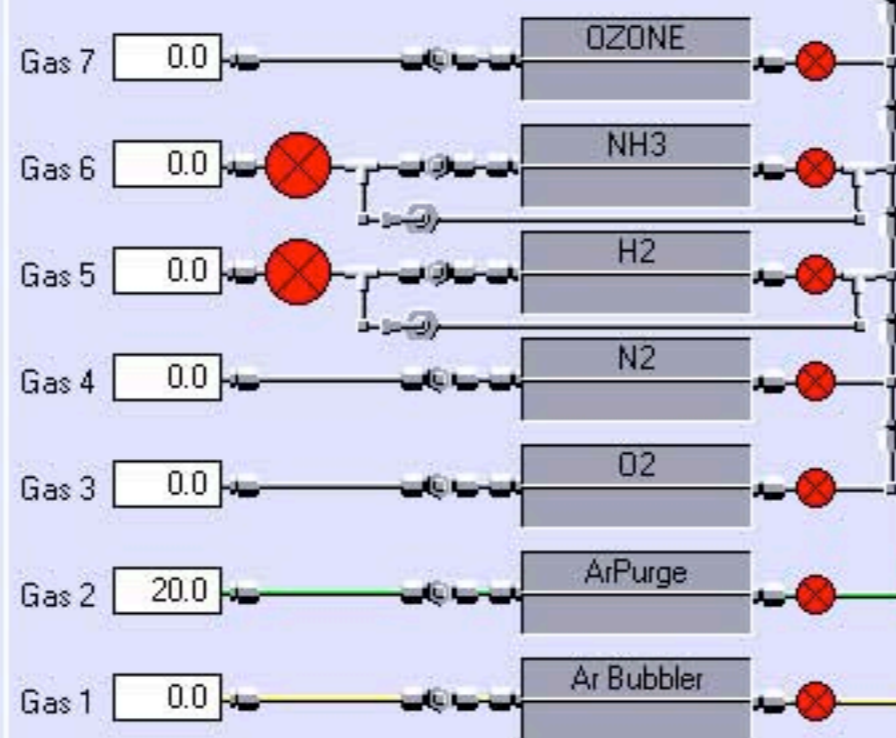
Completed Time Left Completed

PROCESS MODE  TURBO  ROUGH

TABLE HEATER Deg.C   HEATER READY

APC CONTROLLER  
Set Pressure   
Chamber Pressure   
Set Position   
Valve Position   
 Pressure  Position

RF GENERATOR  
Forward Power   
Reflected Power   
RF AUTOMATCH  
CAPACITOR 1  CAPACITOR 2   
 AUTO  MANUAL  HOLD



# Process Step Editor

Step Name

START STOP PAUSE

STEP TIME

PUMP TO PRESSURE

IGNORE TOLERANCE

LOG INTERVAL

Total Steps	Recipe Length	Total Cycles
<input type="text"/>	<input type="text"/>	<input type="text"/>
Completed	Time Left	Completed
<input type="text"/>	<input type="text"/>	<input type="text"/>

PROCESS MODE

TURBO  ROUGH

TABLE HEATER Deg.C

HEATER READY

APC CONTROLLER

Set Pressure	Set Position
<input type="text" value="20.0"/>	<input type="text" value="0.0"/>
Chamber Pressure	Valve Position
<input type="text"/>	<input type="text"/>

Pressure  Position

RF GENERATOR

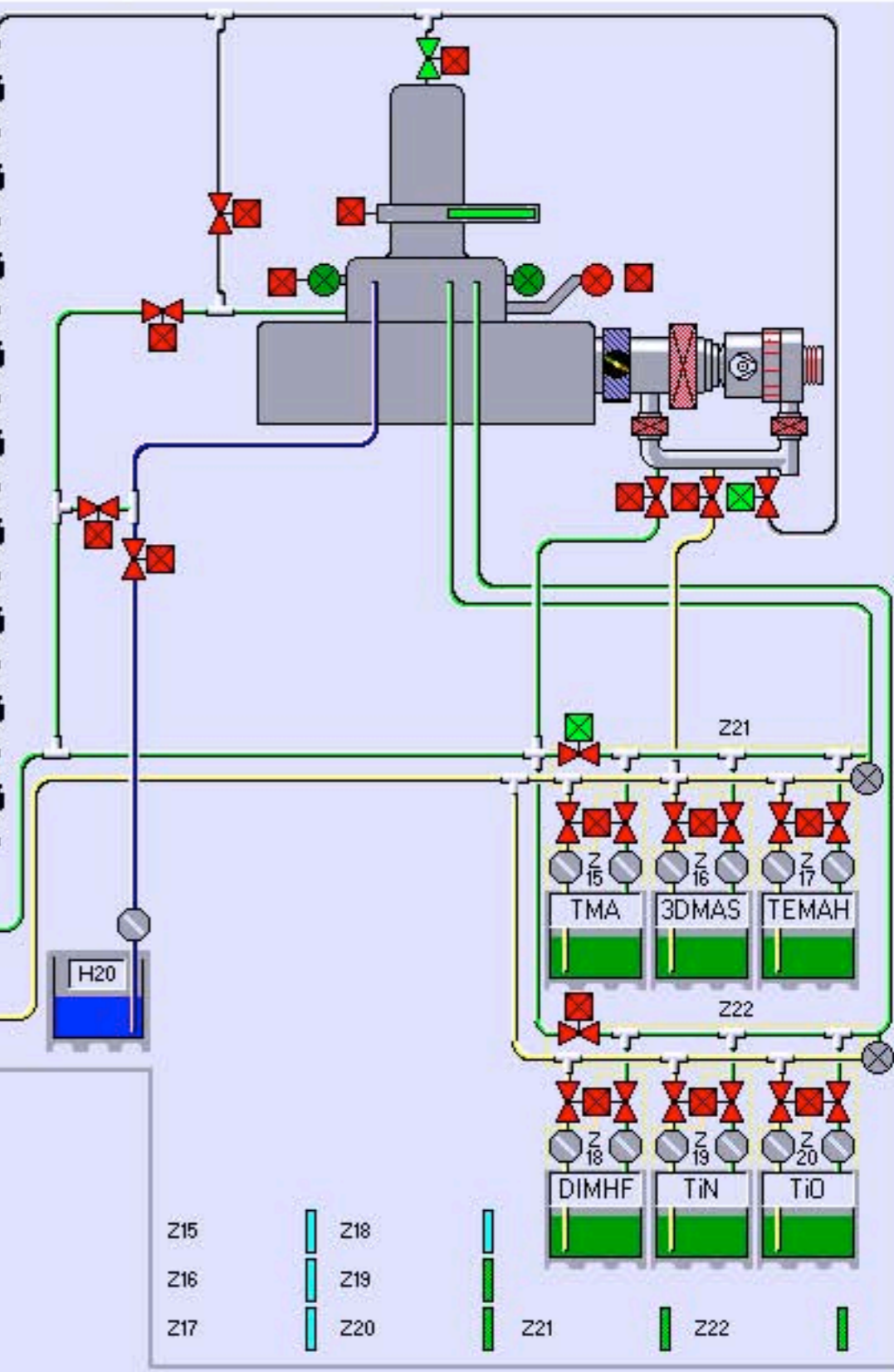
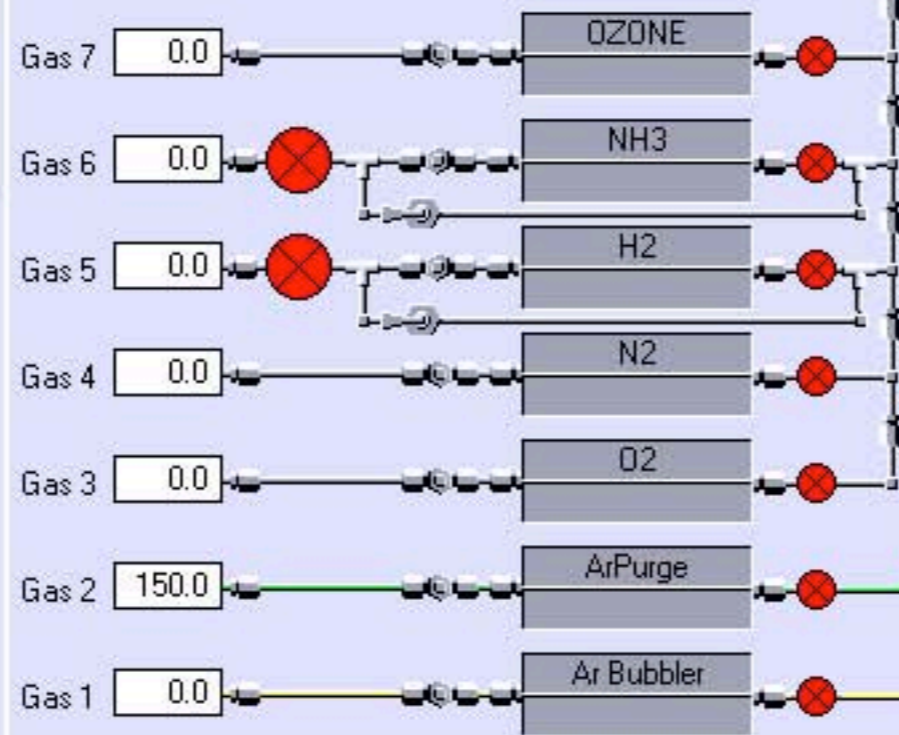
Forward Power

Reflected Power

RF AUTOMATCH

CAPACITOR 1	CAPACITOR 2
<input type="text" value="0.0"/>	<input type="text" value="0.0"/>

AUTO  MANUAL  HOLD



# Process Step Editor

Step Name

START STOP PAUSE

STEP TIME

PUMP TO PRESSURE

IGNORE TOLERANCE

LOG INTERVAL

Total Steps	Recipe Length	Total Cycles
<input type="text"/>	<input type="text"/>	<input type="text"/>
Completed	Time Left	Completed
<input type="text"/>	<input type="text"/>	<input type="text"/>

PROCESS MODE

TURBO  ROUGH

TABLE HEATER Deg.C

HEATER READY

APC CONTROLLER

Set Pressure	Set Position
<input type="text" value="100.0"/>	<input type="text" value="0.0"/>
Chamber Pressure	Valve Position
<input type="text"/>	<input type="text"/>

Pressure  Position

RF GENERATOR

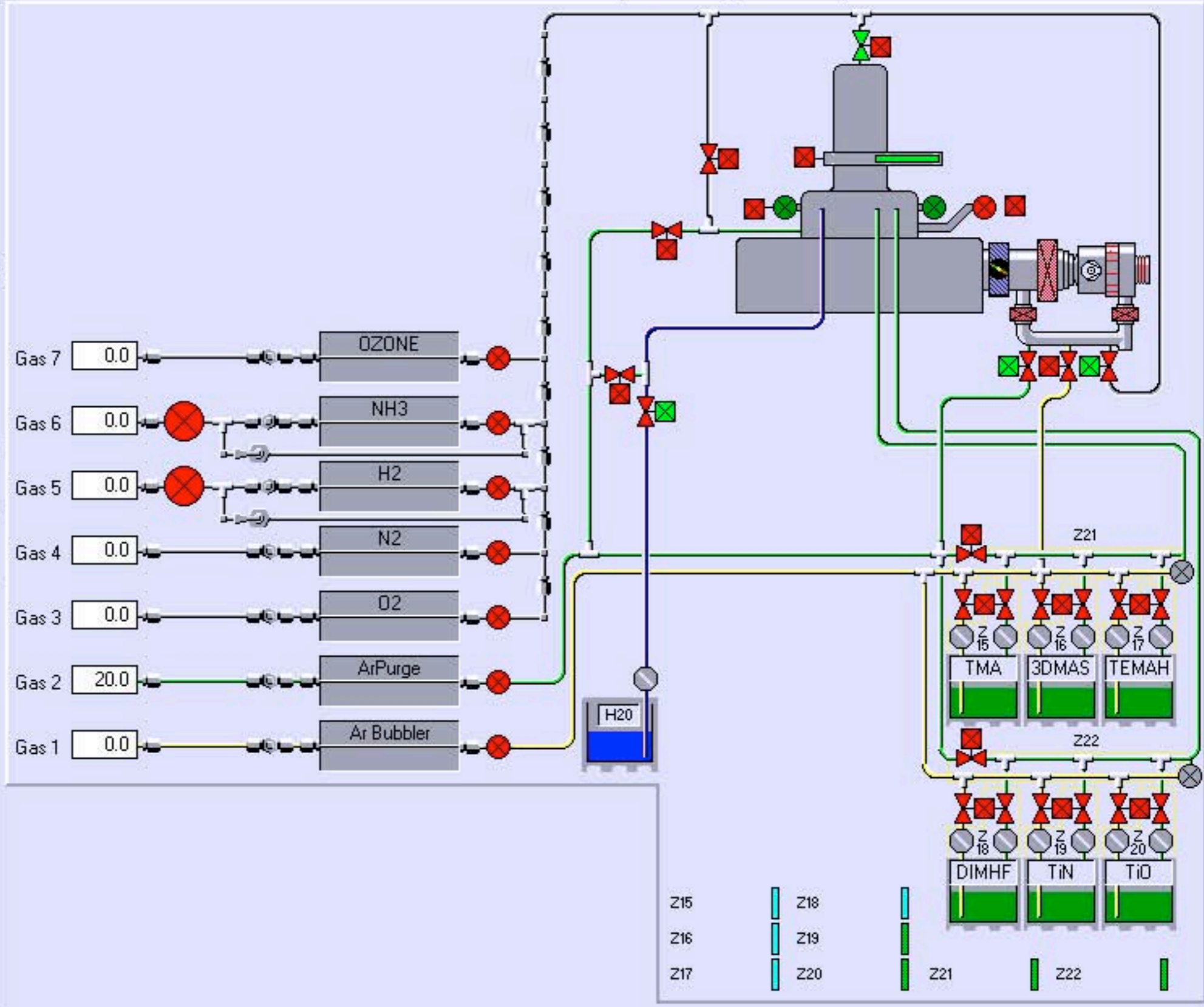
Forward Power

Reflected Power

RF AUTOMATCH

CAPACITOR 1	CAPACITOR 2
<input type="text" value="0.0"/>	<input type="text" value="0.0"/>

AUTO  MANUAL  HOLD



# Process Step Editor

Step Name

START STOP PAUSE

STEP TIME

PUMP TO PRESSURE

IGNORE TOLERANCE

LOG INTERVAL

Total Steps	Recipe Length	Total Cycles
<input type="text"/>	<input type="text"/>	<input type="text"/>
Completed	Time Left	Completed
<input type="text"/>	<input type="text"/>	<input type="text"/>

PROCESS MODE

TURBO  ROUGH

TABLE HEATER Deg.C

HEATER READY

APC CONTROLLER

Set Pressure	Set Position
<input type="text" value="20.0"/>	<input type="text" value="0.0"/>
Chamber Pressure	Valve Position
<input type="text"/>	<input type="text"/>

Pressure  Position

RF GENERATOR

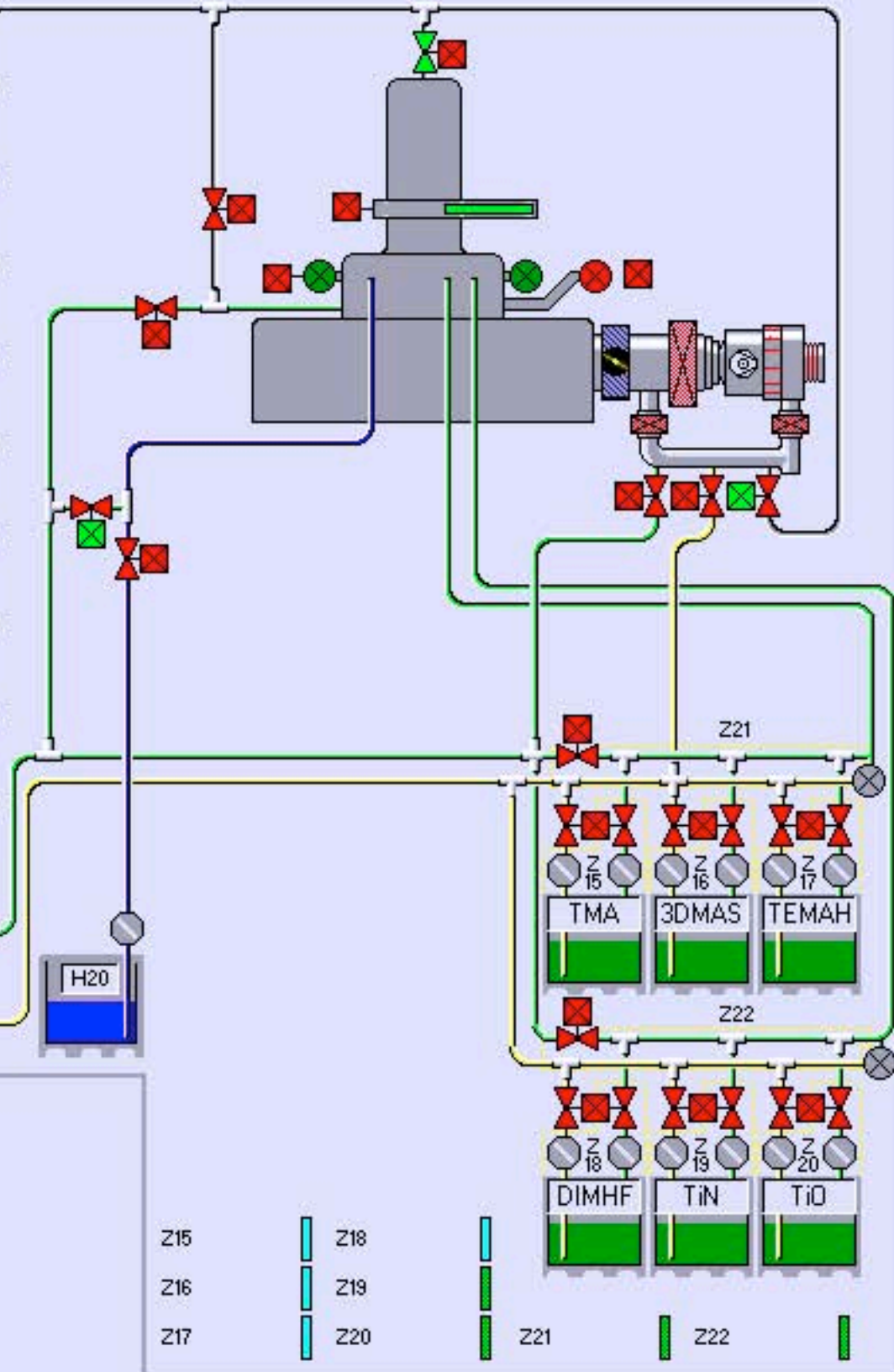
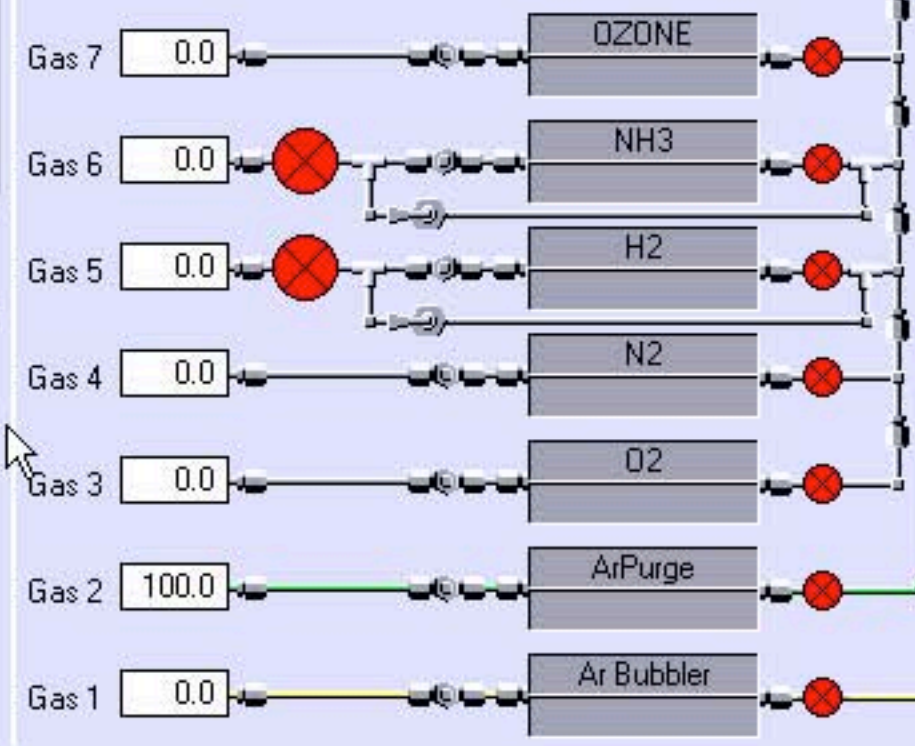
Forward Power

Reflected Power

RF AUTOMATCH

CAPACITOR 1	CAPACITOR 2
<input type="text" value="0.0"/>	<input type="text" value="0.0"/>

AUTO  MANUAL  HOLD





# Process Step Editor

Step Name

START STOP PAUSE

STEP TIME

PUMP TO PRESSURE

IGNORE TOLERANCE

LOG INTERVAL

Total Steps	Recipe Length	Total Cycles
<input type="text"/>	<input type="text"/>	<input type="text"/>
Completed	Time Left	Completed
<input type="text"/>	<input type="text"/>	<input type="text"/>

PROCESS MODE

TURBO  ROUGH

TABLE HEATER Deg.C

HEATER READY

APC CONTROLLER

Set Pressure   
 Chamber Pressure

Set Position   
 Valve Position

Pressure  Position

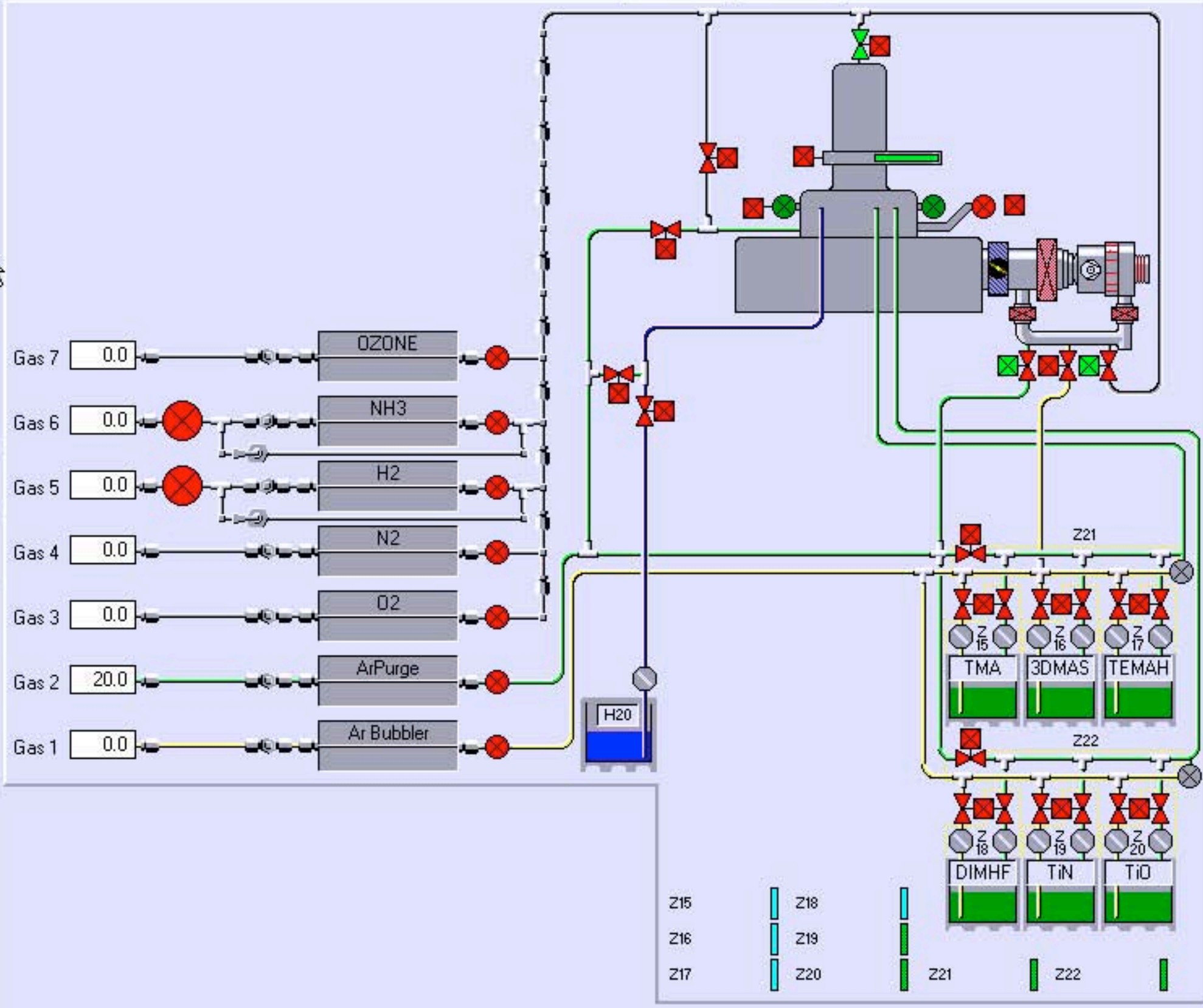
RF GENERATOR

Forward Power   
 Reflected Power

RF AUTOMATCH

CAPACITOR 1  CAPACITOR 2

AUTO  MANUAL  HOLD



# Process Step Editor

Step Name

START STOP PAUSE

STEP TIME

PUMP TO PRESSURE

IGNORE TOLERANCE

LOG INTERVAL

Total Steps   
 Recipe Length   
 Total Cycles

PROCESS MODE

TABLE HEATER Deg.C

APC CONTROLLER

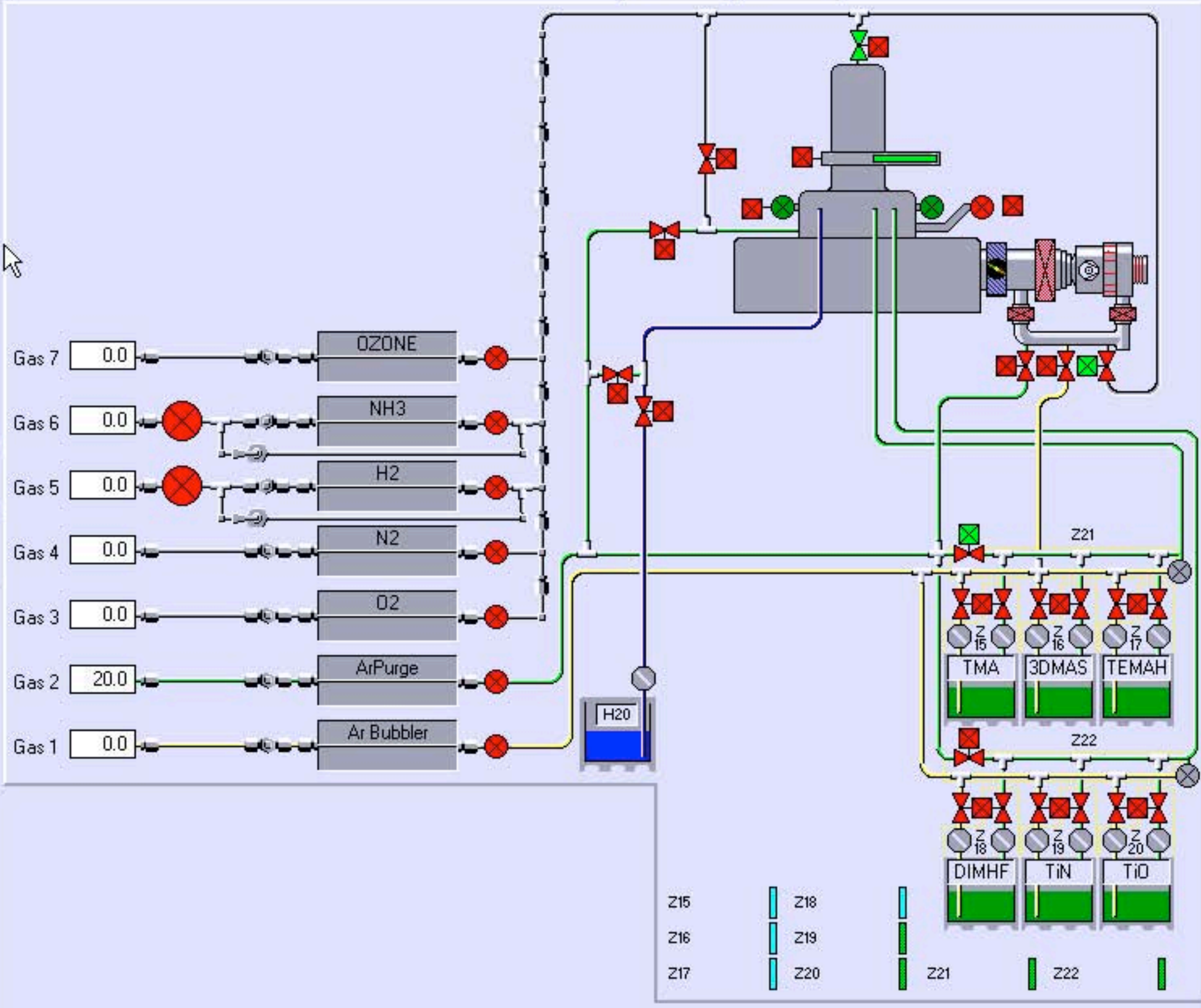
Set Pressure   
 Chamber Pressure

Set Position   
 Valve Position

RF GENERATOR  
 Forward Power   
 Reflected Power

RF AUTOMATCH

CAPACITOR 1  CAPACITOR 2



# Process Step Editor

Step Name

OK  Cancel

START STOP PAUSE

STEP TIME

PUMP TO PRESSURE

IGNORE TOLERANCE

LOG INTERVAL

Total Steps	Recipe Length	Total Cycles
<input type="text"/>	<input type="text"/>	<input type="text"/>
Completed	Time Left	Completed
<input type="text"/>	<input type="text"/>	<input type="text"/>

PROCESS MODE

TURBO  ROUGH

TABLE HEATER Deg.C

HEATER READY

APC CONTROLLER

Set Pressure	Set Position
<input type="text" value="0.0"/>	<input type="text" value="0.0"/>
Chamber Pressure	Valve Position
<input type="text"/>	<input type="text"/>

Pressure  Position

RF GENERATOR

Forward Power  Reflected Power

RF AUTOMATCH

CAPACITOR 1	CAPACITOR 2
<input type="text" value="0.0"/>	<input type="text" value="0.0"/>

AUTO  MANUAL  HOLD

