

Automatic

Manual

Recipe Name

Data Log Interval

Created

Recipe Length

New

Load

Save

Run

Step Library

Chamber 1

Edit

New

Copy

Delete

1. pump
2. pre heat
3. set up pressure
4. Repeat 20
5. DOSE 3DMAS
6. PURGE 3DMAS
7. Divert Argon
8. O2 Plasma
9. Post Plasma purge
10. Loop
11. pump
- *

- Empty step library area for Chamber 1.

Process Step Editor

Step Name

START STOP PAUSE

STEP TIME

PUMP TO PRESSURE

IGNORE TOLERANCE

LOG INTERVAL

Total Steps	Recipe Length	Total Cycles
<input type="text"/>	<input type="text"/>	<input type="text"/>
Completed	Time Left	Completed
<input type="text"/>	<input type="text"/>	<input type="text"/>

PROCESS MODE

TURBO ROUGH

TABLE HEATER Deg.C

HEATER READY

APC CONTROLLER

Set Pressure
Chamber Pressure

Set Position
Valve Position

Pressure Position

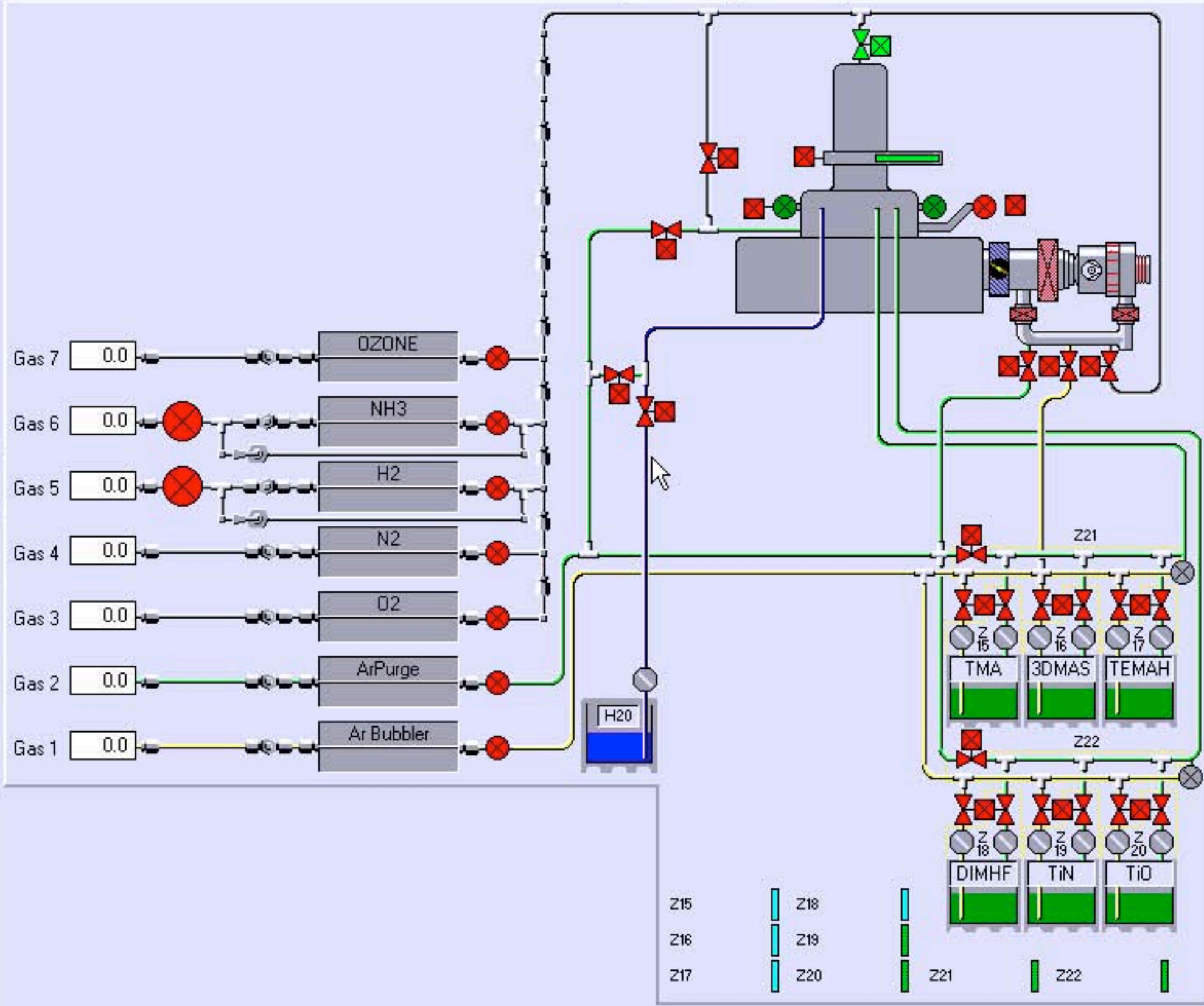
RF GENERATOR

Forward Power
Reflected Power

RF AUTOMATCH

CAPACITOR 1 CAPACITOR 2

AUTO MANUAL HOLD



Process Step Editor

Step Name

START STOP PAUSE

STEP TIME

PUMP TO PRESSURE

IGNORE TOLERANCE

LOG INTERVAL

Total Steps	Recipe Length	Total Cycles
<input type="text"/>	<input type="text"/>	<input type="text"/>
Completed	Time Left	Completed
<input type="text"/>	<input type="text"/>	<input type="text"/>

PROCESS MODE

TURBO ROUGH

TABLE HEATER Deg.C

HEATER READY

APC CONTROLLER

Set Pressure	Set Position
<input type="text" value="200.0"/>	<input type="text" value="0.0"/>
Chamber Pressure	Valve Position
<input type="text"/>	<input type="text"/>

Pressure Position

RF GENERATOR

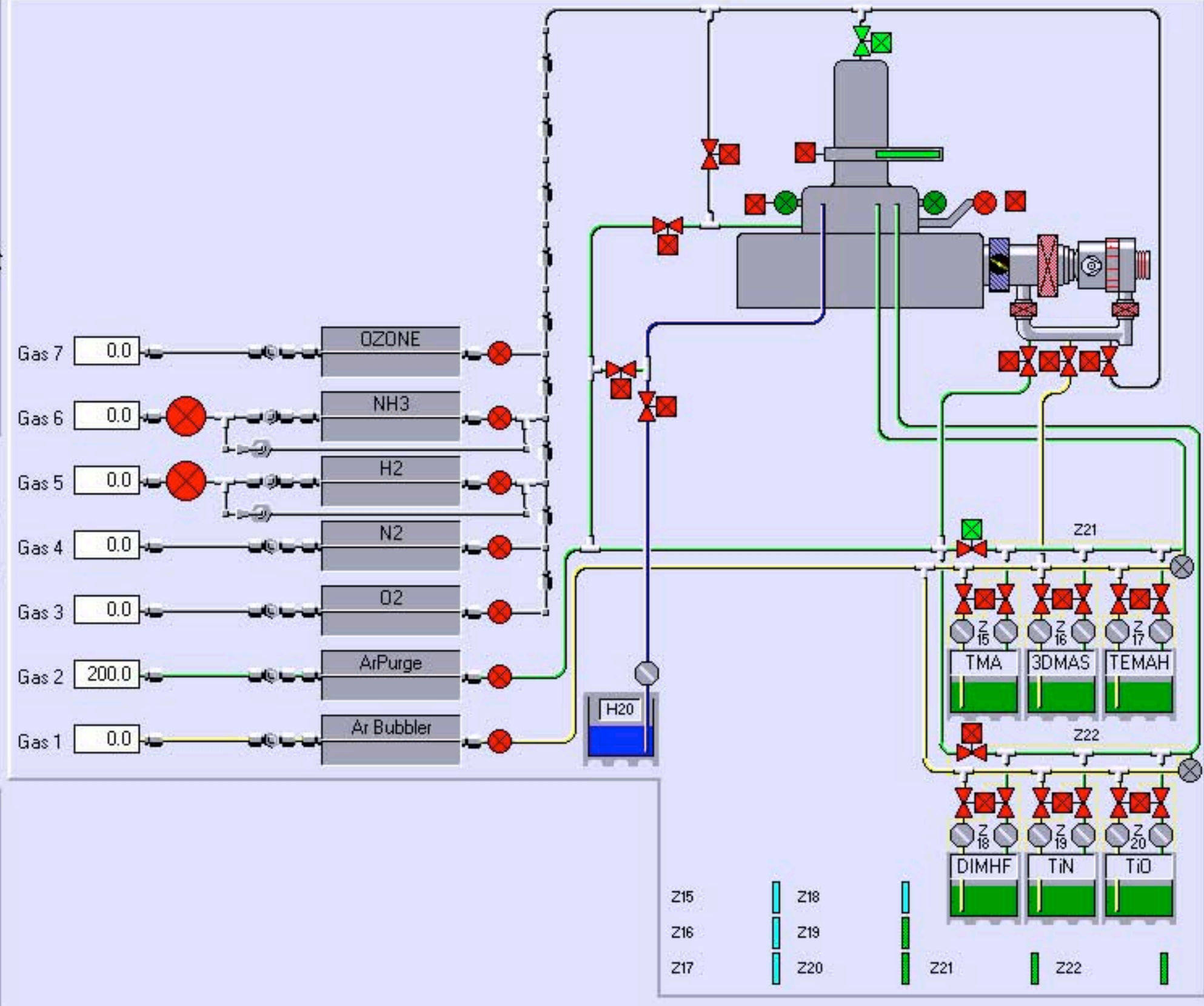
Forward Power

Reflected Power

RF AUTOMATCH

CAPACITOR 1	CAPACITOR 2
<input type="text" value="0.0"/>	<input type="text" value="0.0"/>

AUTO MANUAL HOLD



Process Step Editor

Step Name

OK

Cancel

START STOP PAUSE

STEP TIME

PUMP TO PRESSURE

IGNORE TOLERANCE

LOG INTERVAL

Total Steps	Recipe Length	Total Cycles
<input type="text"/>	<input type="text"/>	<input type="text"/>
Completed	Time Left	Completed
<input type="text"/>	<input type="text"/>	<input type="text"/>

PROCESS MODE

TURBO ROUGH

TABLE HEATER Deg.C

HEATER READY

APC CONTROLLER

Set Pressure
Chamber Pressure

Set Position
Valve Position

Pressure Position

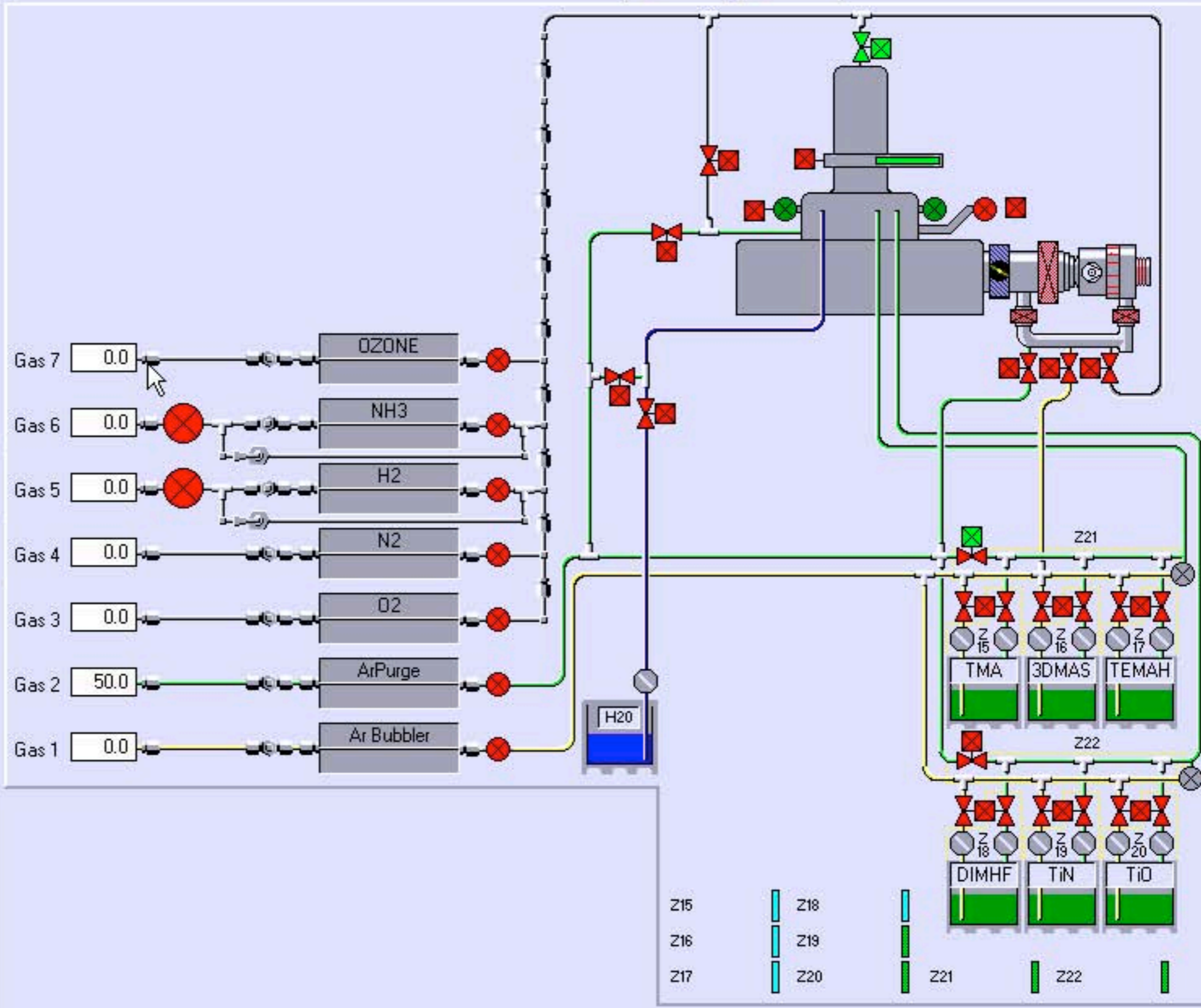
RF GENERATOR

Forward Power
Reflected Power

RF AUTOMATCH

CAPACITOR 1 CAPACITOR 2

AUTO MANUAL HOLD



Process Step Editor

Step Name

START STOP PAUSE

STEP TIME

PUMP TO PRESSURE

IGNORE TOLERANCE

LOG INTERVAL

Total Steps
 Recipe Length
 Total Cycles

PROCESS MODE
 TURBO ROUGH

TABLE HEATER Deg.C
 HEATER READY

APC CONTROLLER

Set Pressure
 Chamber Pressure

Set Position
 Valve Position

Pressure Position

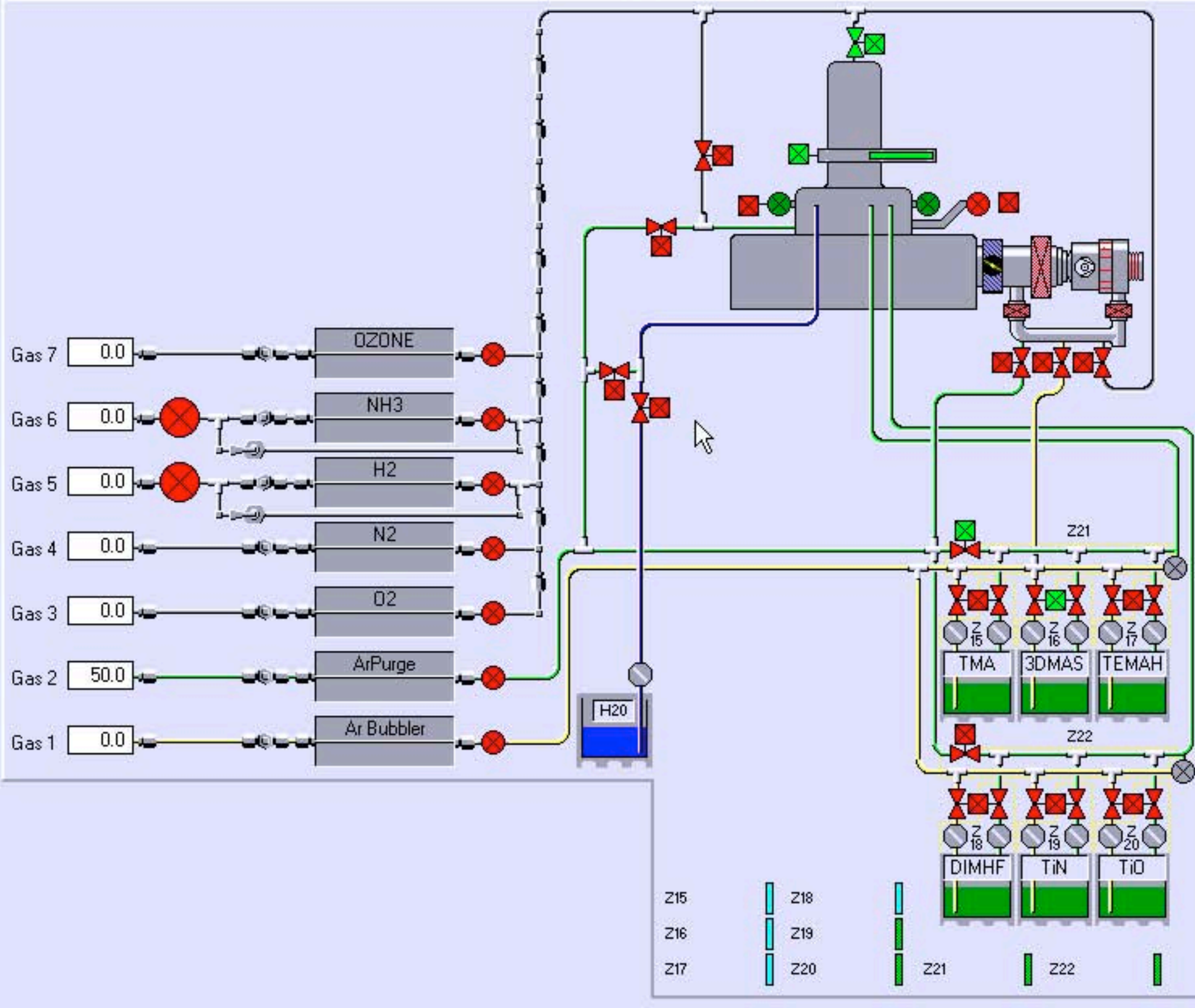
RF GENERATOR

Forward Power
 Reflected Power

RF AUTOMATCH

CAPACITOR 1 CAPACITOR 2

AUTO MANUAL HOLD



Process Step Editor

Step Name

OK

Cancel

START STOP PAUSE

STEP TIME

PUMP TO PRESSURE

IGNORE TOLERANCE

LOG INTERVAL

Total Steps	Recipe Length	Total Cycles
<input type="text"/>	<input type="text"/>	<input type="text"/>
Completed	Time Left	Completed
<input type="text"/>	<input type="text"/>	<input type="text"/>

PROCESS MODE

TURBO ROUGH

TABLE HEATER Deg.C

HEATER READY

APC CONTROLLER

Set Pressure
Chamber Pressure

Set Position
Valve Position

Pressure Position

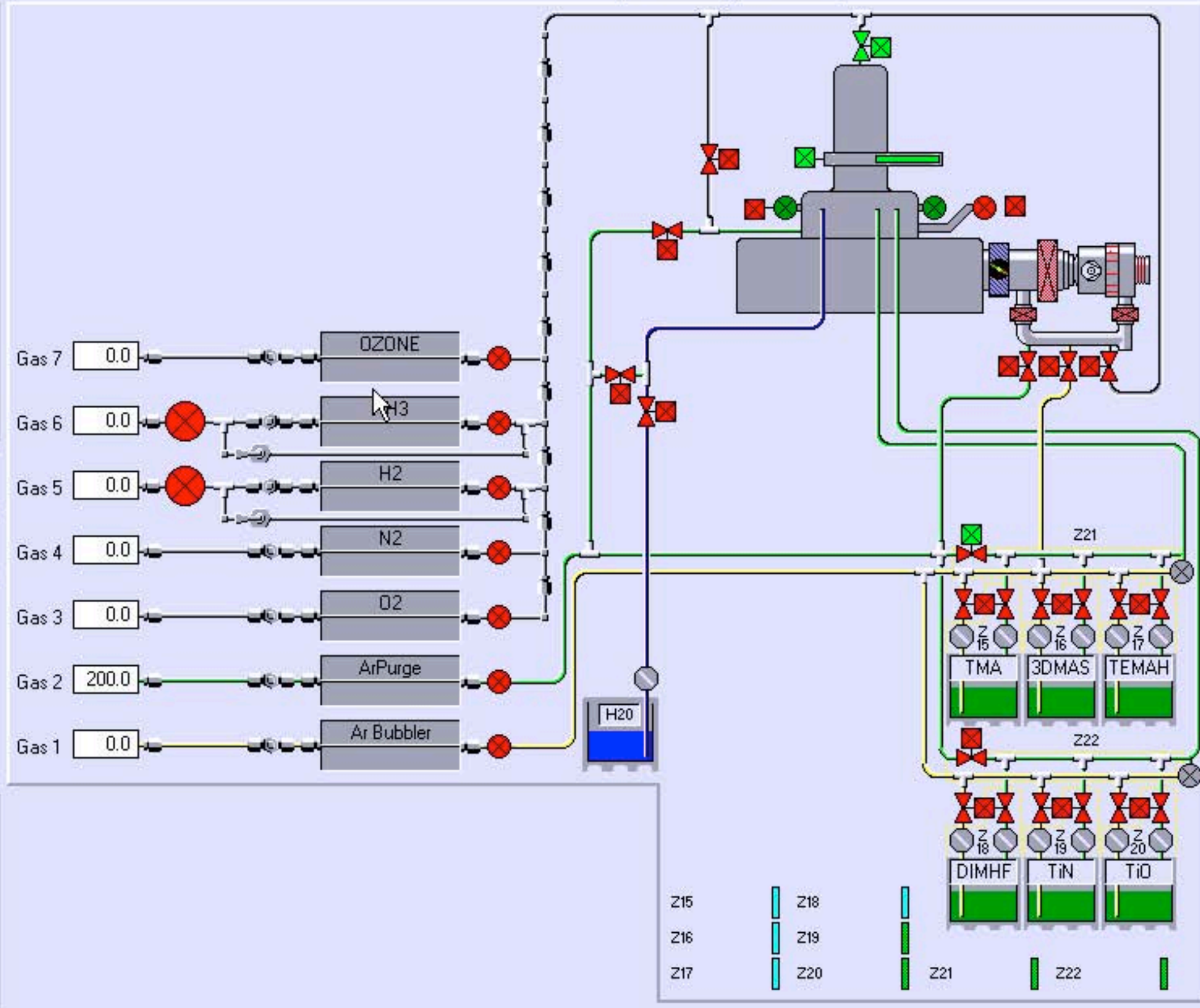
RF GENERATOR

Forward Power
Reflected Power

RF AUTOMATCH

CAPACITOR 1 CAPACITOR 2

AUTO MANUAL HOLD



Process Step Editor

Step Name

START STOP PAUSE

STEP TIME

PUMP TO PRESSURE

IGNORE TOLERANCE

LOG INTERVAL

Total Steps	Recipe Length	Total Cycles
<input type="text"/>	<input type="text"/>	<input type="text"/>
Completed	Time Left	Completed
<input type="text"/>	<input type="text"/>	<input type="text"/>

PROCESS MODE

TURBO ROUGH

TABLE HEATER Deg.C

HEATER READY

APC CONTROLLER

Set Pressure	Set Position
<input type="text" value="15.0"/>	<input type="text" value="0.0"/>
Chamber Pressure	Valve Position

Pressure Position

RF GENERATOR

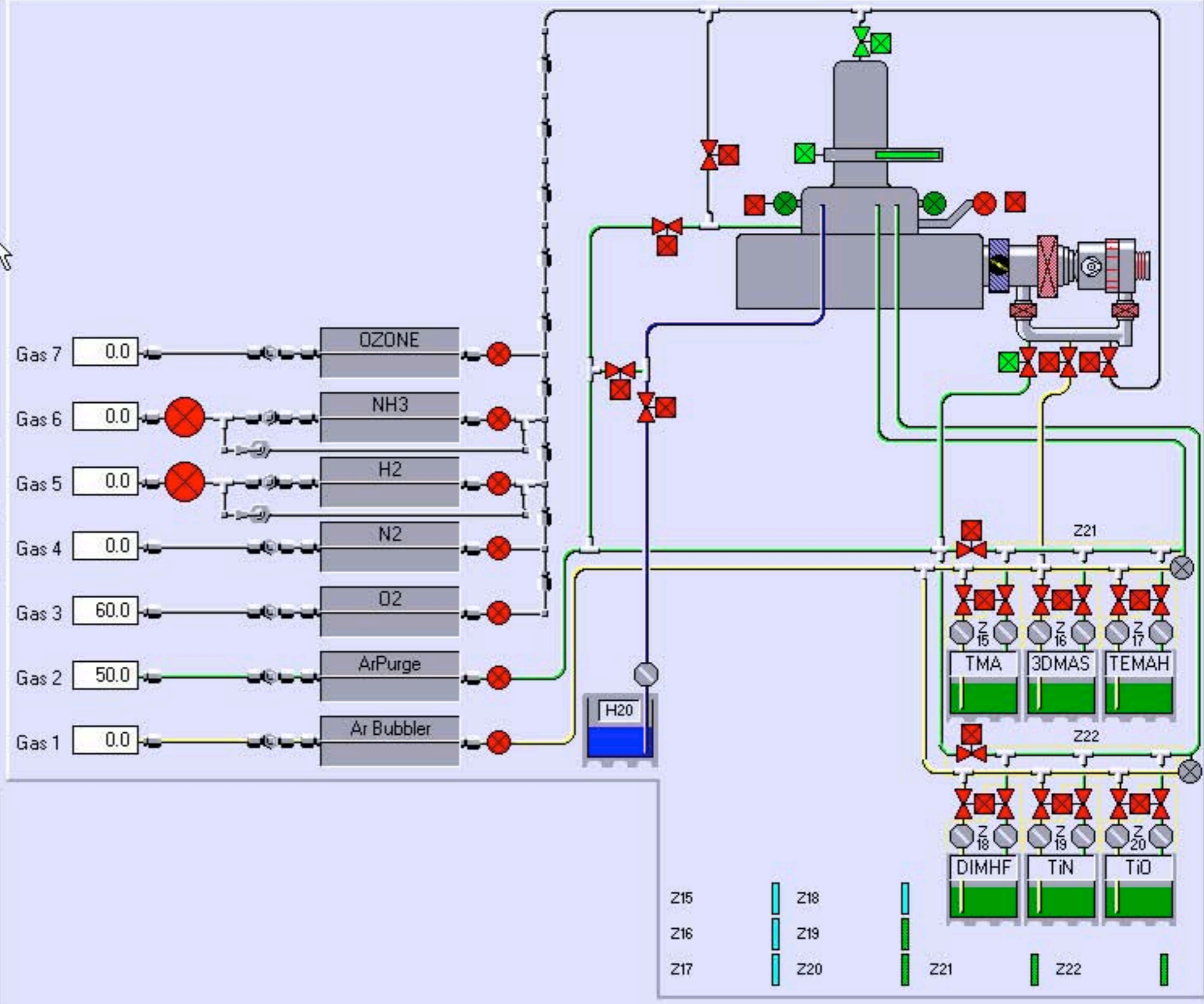
Forward Power

Reflected Power

RF AUTOMATCH

CAPACITOR 1	CAPACITOR 2
<input type="text" value="0.0"/>	<input type="text" value="0.0"/>

AUTO MANUAL HOLD



Process Step Editor

Step Name

START STOP PAUSE

STEP TIME

PUMP TO PRESSURE

IGNORE TOLERANCE

LOG INTERVAL

Total Steps:
 Recipe Length:
 Total Cycles:
 Completed: Time Left: Completed:

PROCESS MODE

TABLE HEATER Deg.C

APC CONTROLLER

Set Pressure:
 Chamber Pressure:

Set Position:
 Valve Position:

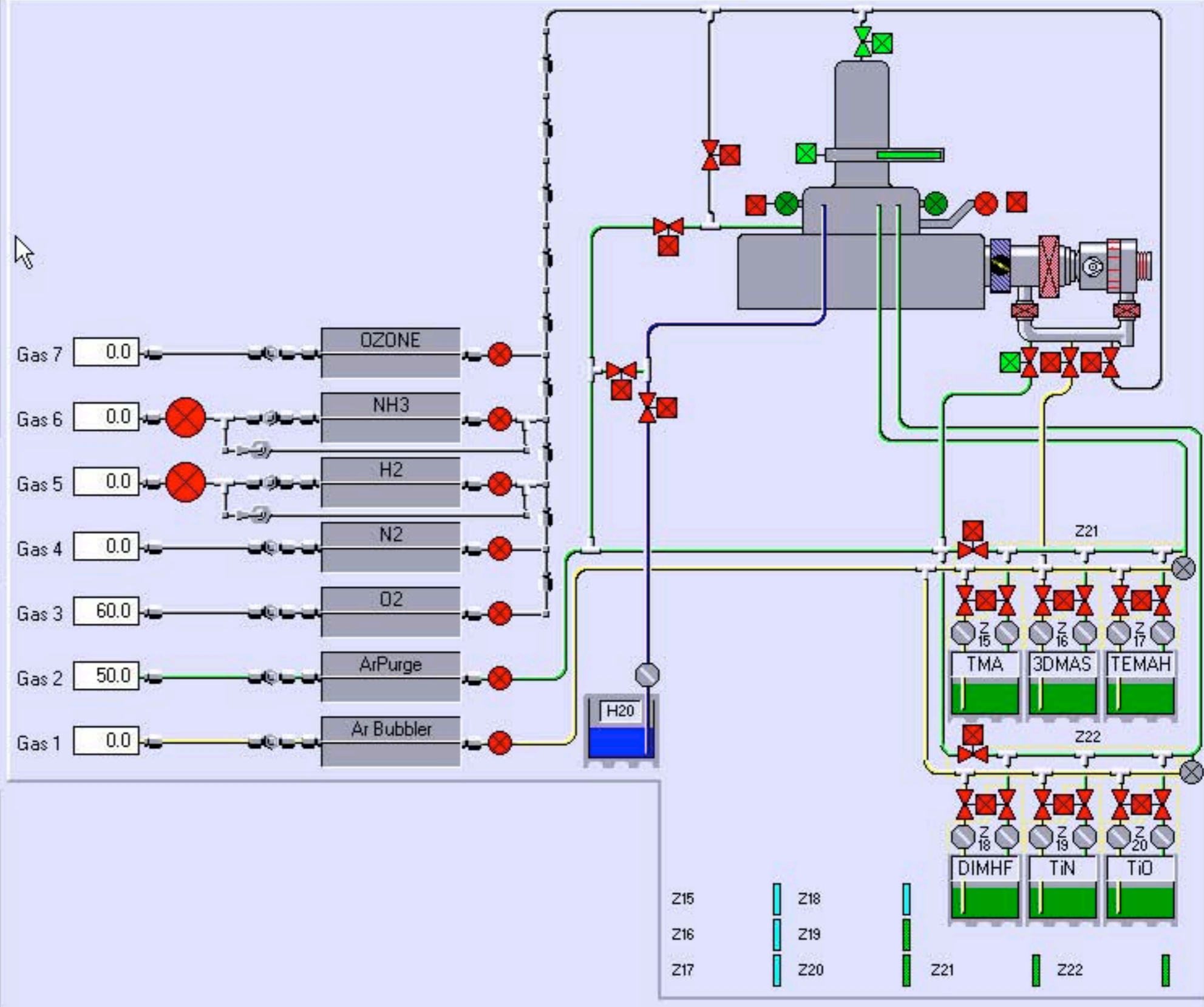
RF GENERATOR

 Forward Power

Reflected Power:

RF AUTOMATCH

CAPACITOR 1: CAPACITOR 2:



Process Step Editor

Step Name

START STOP PAUSE

STEP TIME

PUMP TO PRESSURE

IGNORE TOLERANCE

LOG INTERVAL

Total Steps	Recipe Length	Total Cycles
<input type="text"/>	<input type="text"/>	<input type="text"/>
Completed	Time Left	Completed
<input type="text"/>	<input type="text"/>	<input type="text"/>

PROCESS MODE

TURBO ROUGH

TABLE HEATER Deg.C

HEATER READY

APC CONTROLLER

Set Pressure	Set Position
<input type="text" value="80.0"/>	<input type="text" value="0.0"/>
Chamber Pressure	Valve Position
<input type="text"/>	<input type="text"/>

Pressure Position

RF GENERATOR

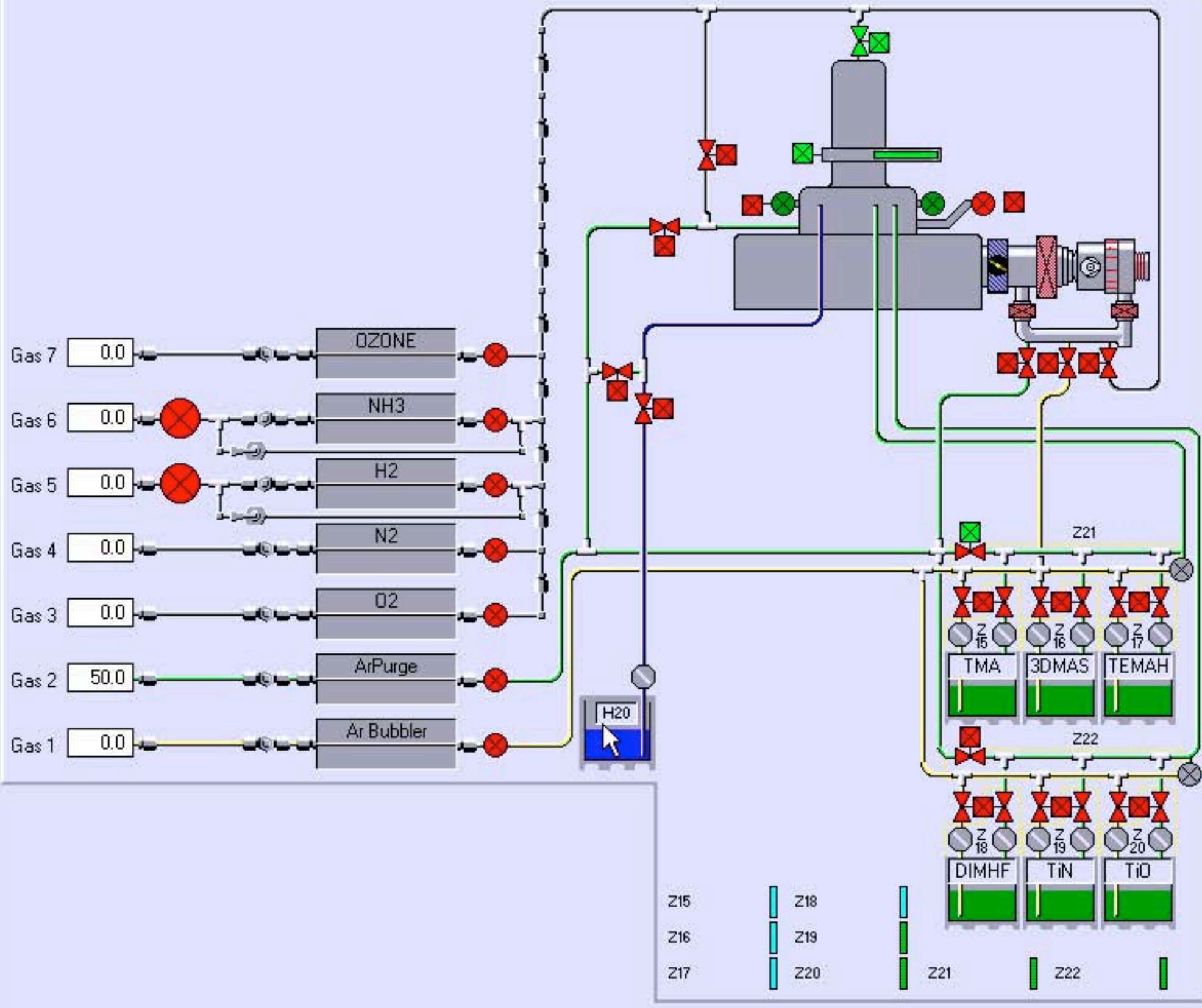
Forward Power

Reflected Power

RF AUTOMATCH

CAPACITOR 1	CAPACITOR 2
<input type="text" value="0.0"/>	<input type="text" value="0.0"/>

AUTO MANUAL HOLD



Process Step Editor

Step Name

OK Cancel

START STOP PAUSE

PUMP TO PRESSURE

 IGNORE TOLERANCE
LOG INTERVAL

Total Steps
Recipe Length
Total Cycles

PROCESS MODE
 TURBO ROUGH

TABLE HEATER Deg.C
 HEATER READY

APC CONTROLLER
Set Pressure
Chamber Pressure
Set Position
Valve Position
 Pressure Position

RF GENERATOR
Forward Power
Reflected Power
RF AUTOMATCH
CAPACITOR 1 CAPACITOR 2
 AUTO MANUAL HOLD

