

Process Step Editor

Step Name

OK Cancel

START STOP PAUSE

STEP TIME

PUMP TO PRESSURE

IGNORE TOLERANCE

LOG INTERVAL

Total Steps	Recipe Length	Total Cycles
<input type="text"/>	<input type="text"/>	<input type="text"/>
Completed	Time Left	Completed
<input type="text"/>	<input type="text"/>	<input type="text"/>

PROCESS MODE

TURBO ROUGH

TABLE HEATER Deg.C

HEATER READY

APC CONTROLLER

Set Pressure	Set Position
<input type="text" value="20.0"/>	<input type="text" value="0.0"/>
Chamber Pressure	Valve Position
<input type="text"/>	<input type="text"/>

Pressure Position

RF GENERATOR

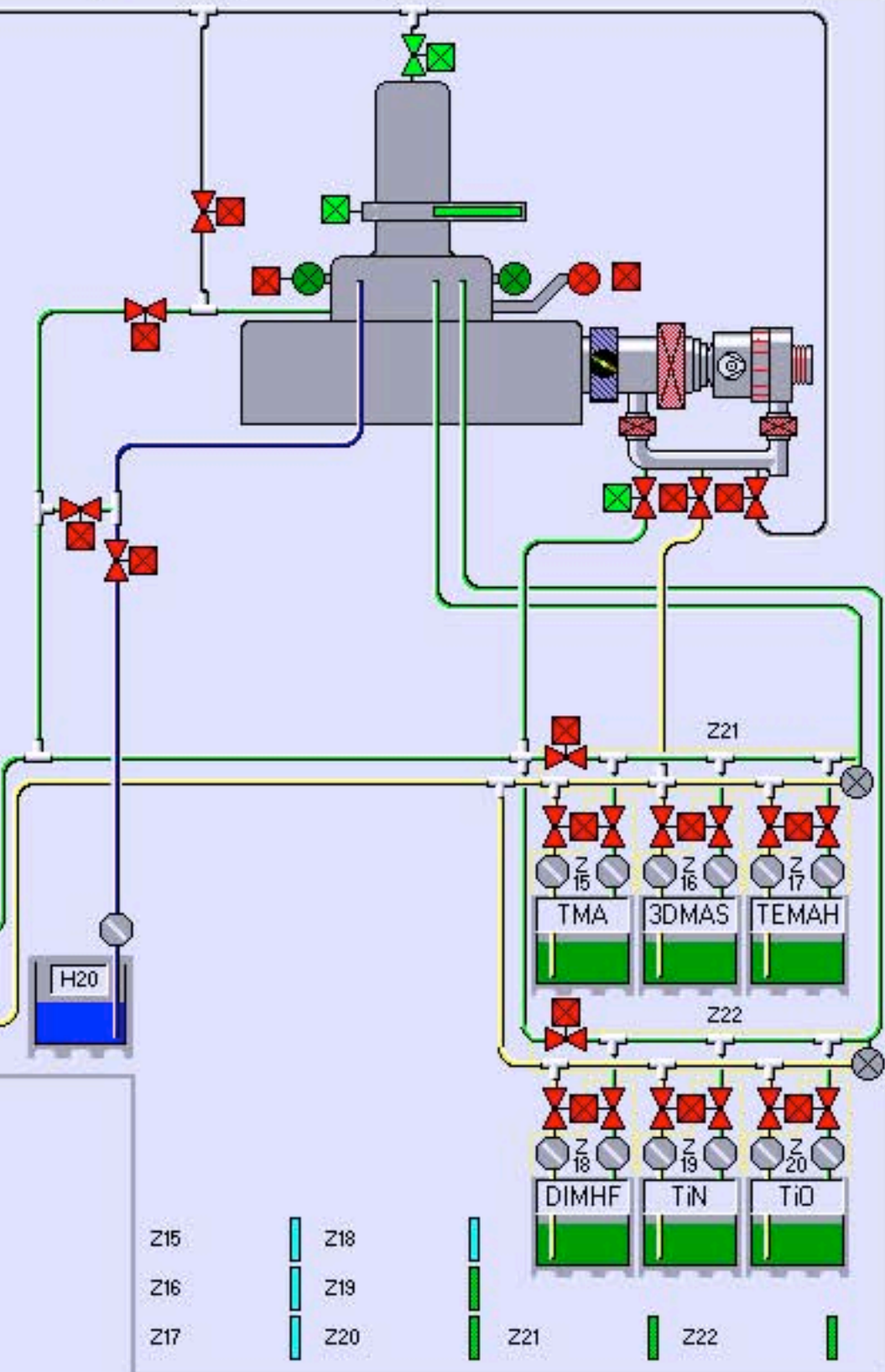
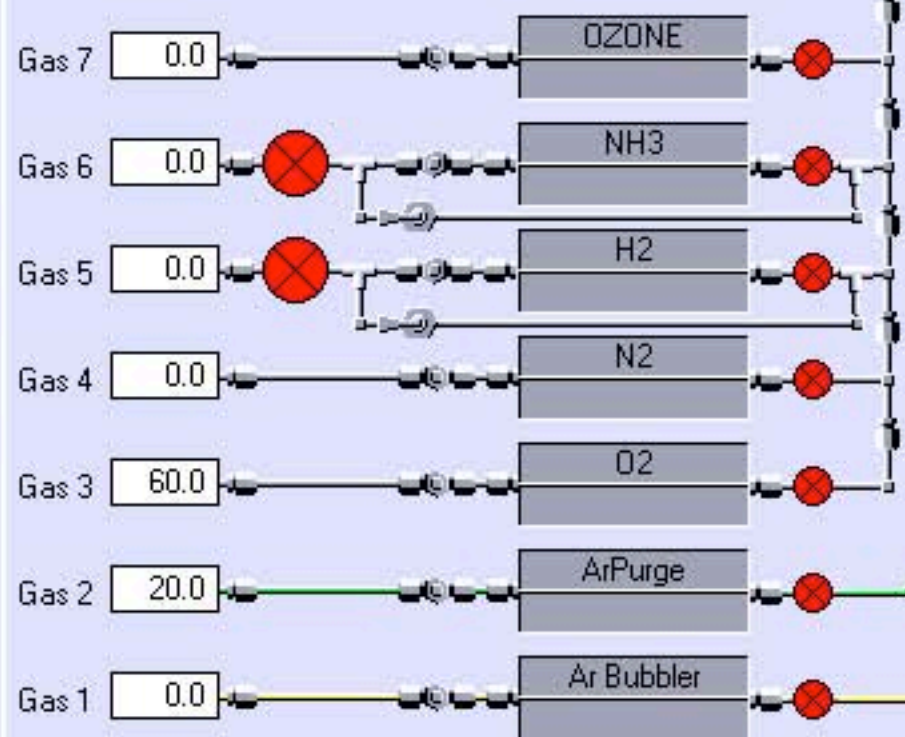
Forward Power

Reflected Power

RF AUTOMATCH

CAPACITOR 1	CAPACITOR 2
<input type="text" value="0.0"/>	<input type="text" value="0.0"/>

AUTO MANUAL HOLD



Process Step Editor

Step Name:

OK

Cancel

START STOP PAUSE

STEP TIME

PUMP TO PRESSURE

IGNORE TOLERANCE

LOG INTERVAL

Total Steps	Recipe Length	Total Cycles
<input type="text"/>	<input type="text"/>	<input type="text"/>
Completed	Time Left	Completed
<input type="text"/>	<input type="text"/>	<input type="text"/>

PROCESS MODE

TURBO ROUGH

TABLE HEATER Deg.C

HEATER READY

APC CONTROLLER

Set Pressure	Set Position
<input type="text" value="15.0"/>	<input type="text" value="0.0"/>
Chamber Pressure	Valve Position
<input type="text"/>	<input type="text"/>

Pressure Position

RF GENERATOR

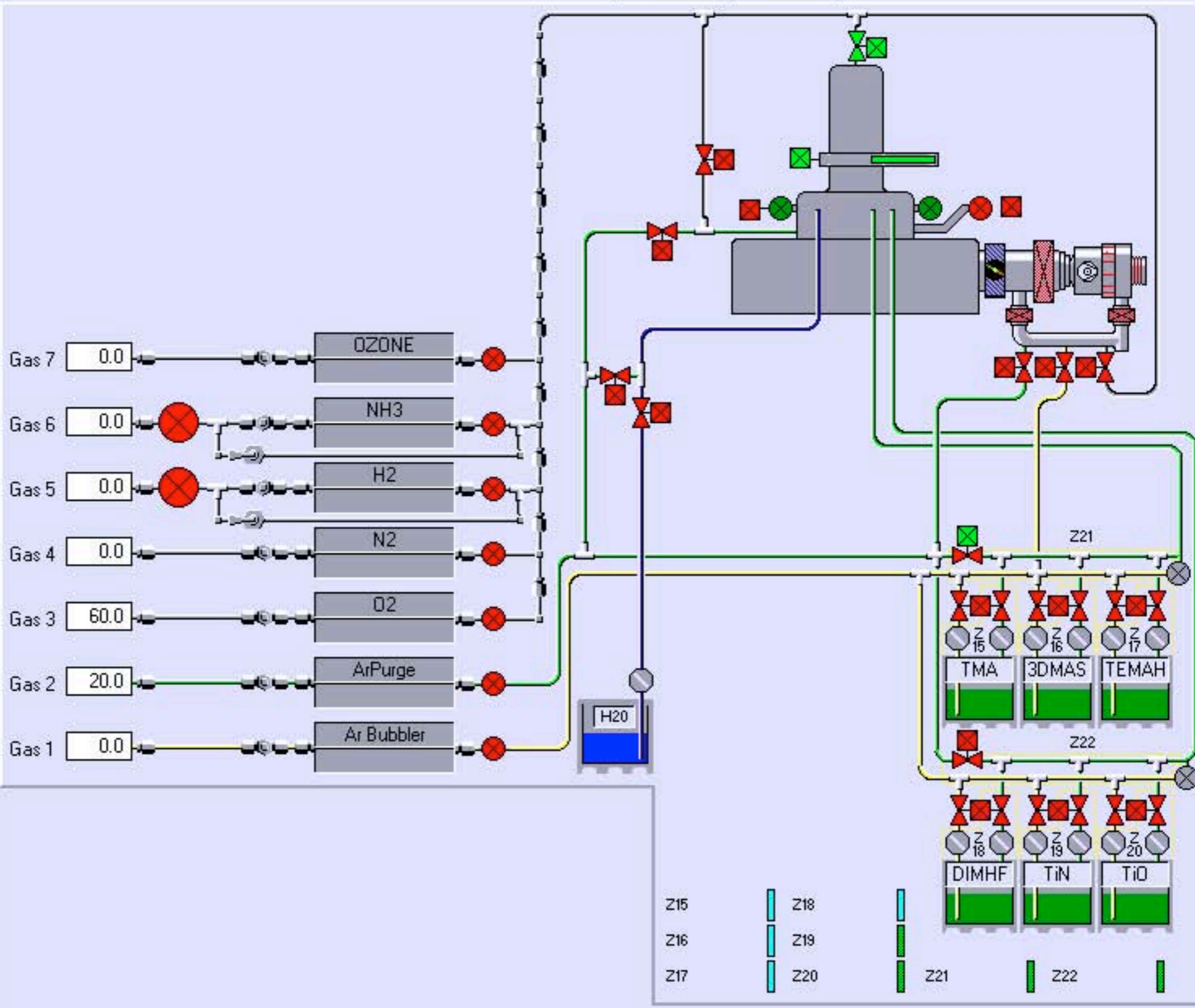
Forward Power

Reflected Power

RF AUTOMATCH

CAPACITOR 1	CAPACITOR 2
<input type="text" value="0.0"/>	<input type="text" value="0.0"/>

AUTO MANUAL HOLD



Process Step Editor

Step Name

START STOP PAUSE

STEP TIME

PUMP TO PRESSURE

IGNORE TOLERANCE

LOG INTERVAL

Total Steps	Recipe Length	Total Cycles
<input type="text"/>	<input type="text"/>	<input type="text"/>
Completed	Time Left	Completed
<input type="text"/>	<input type="text"/>	<input type="text"/>

PROCESS MODE

TURBO ROUGH

TABLE HEATER Deg.C

HEATER READY

APC CONTROLLER

Set Pressure	Set Position
<input type="text" value="0.0"/>	<input type="text" value="0.0"/>
Chamber Pressure	Valve Position
<input type="text"/>	<input type="text"/>

Pressure Position

RF GENERATOR

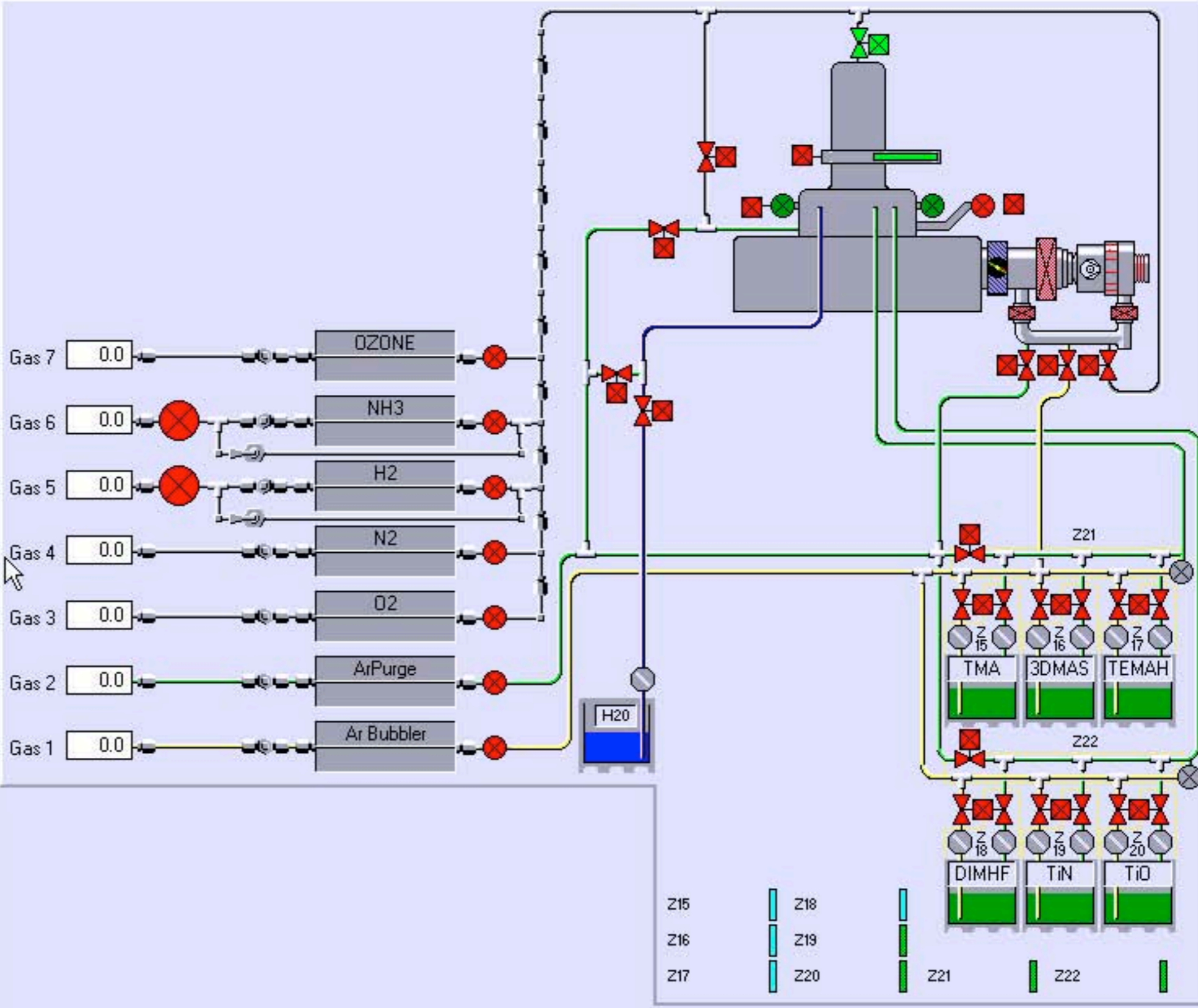
Forward Power

Reflected Power

RF AUTOMATCH

CAPACITOR 1	CAPACITOR 2
<input type="text" value="0.0"/>	<input type="text" value="0.0"/>

AUTO MANUAL HOLD



Automatic
Manual

Recipe Name AL203 100
Data Log Interval 00 00 00 125
Created 1-Aug-12 5:33:42 am
Recipe Length 0000:07:39.563

New
Load
Save
Run

Step Library
Chamber 1

Edit
New
Copy
Delete

1. pump
2. pre heat
3. set up pressure
4. Repeat 28
5. dose TMA
6. Purge TMA
7. Divert Argon
8. O2 Plasma
9. Post Plasma purge
10. Loop
11. pump
- *

Navigation icons: Home, Up, Down, Refresh, and a large Home button at the bottom.

Large empty area for the Step Library, with a mouse cursor visible.

Navigation icons: Home, Up, Down, Refresh, and a large Home button at the bottom.

Process Step Editor

Step Name

OK

Cancel

START STOP PAUSE

STEP TIME

00 01 00 001

PUMP TO PRESSURE

7.50e-09

IGNORE TOLERANCE

LOG INTERVAL

00 00 00 125

Total Steps: Completed

Recipe Length: Time Left

Total Cycles: Completed

PROCESS MODE

TURBO ROUGH

TABLE HEATER Deg.C

100 0

HEATER READY

APC CONTROLLER

Set Pressure: 0.0

Chamber Pressure

Set Position: 0.0

Valve Position

Pressure Position

RF GENERATOR

Forward Power: 0

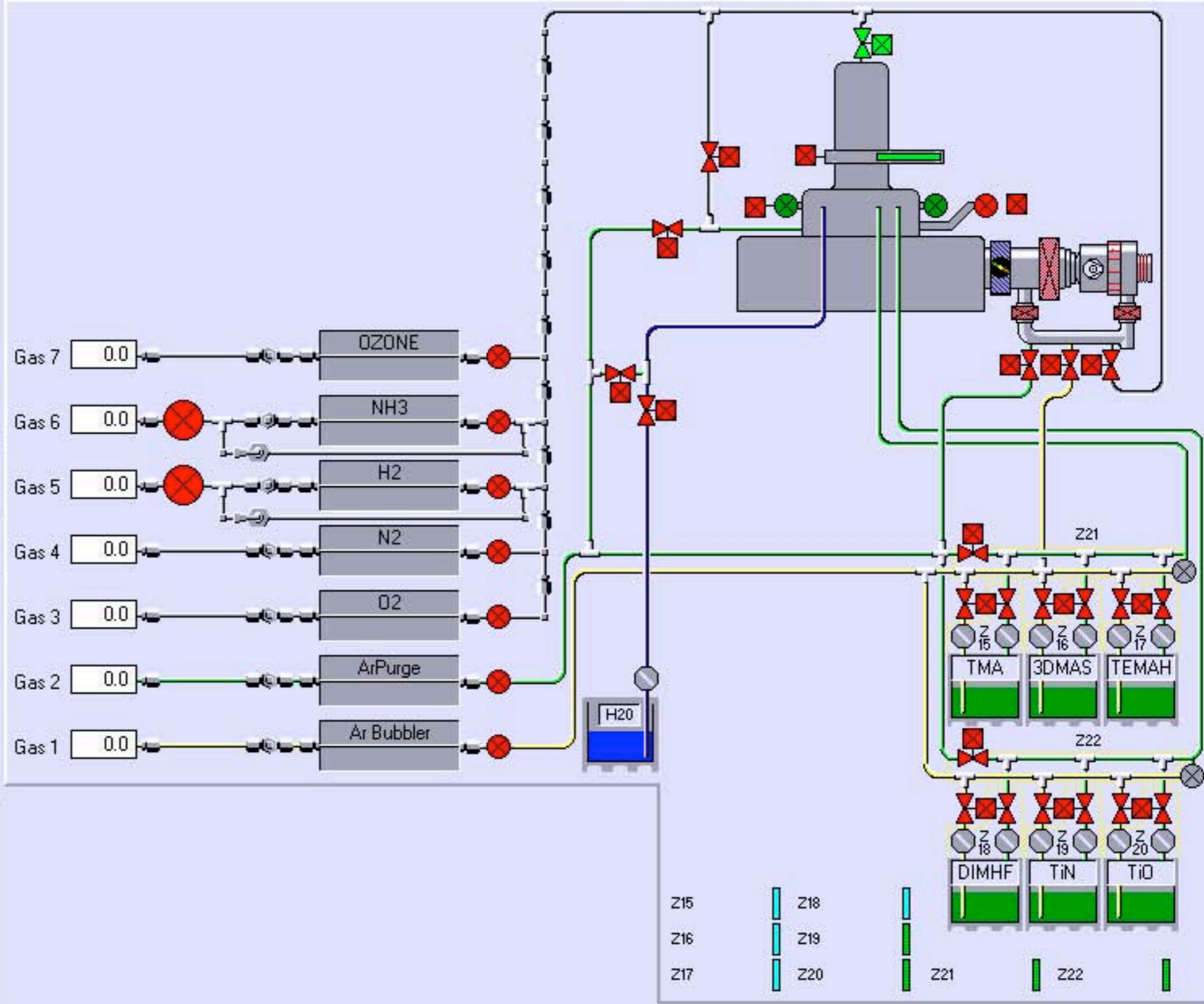
Reflected Power

RF AUTOMATCH

CAPACITOR 1: 0.0

CAPACITOR 2: 0.0

AUTO MANUAL HOLD



Process Step Editor

Step Name

pre heat

OK

Cancel

START STOP PAUSE



PUMP TO PRESSURE

7.50e-09

STEP TIME

00 03 00 000

IGNORE TOLERANCE

LOG INTERVAL

00 00 00 125

Total Steps

Recipe Length

Total Cycles

Completed

Time Left

Completed

PROCESS MODE

TURBO

ROUGH

TABLE HEATER Deg.C

100

0

HEATER READY

APC CONTROLLER

Set Pressure

200.0

Set Position

0.0

Chamber Pressure

Valve Position

Pressure

Position

RF GENERATOR

RF AUTOMATCH

Forward Power

0

CAPACITOR 1

0.0

CAPACITOR 2

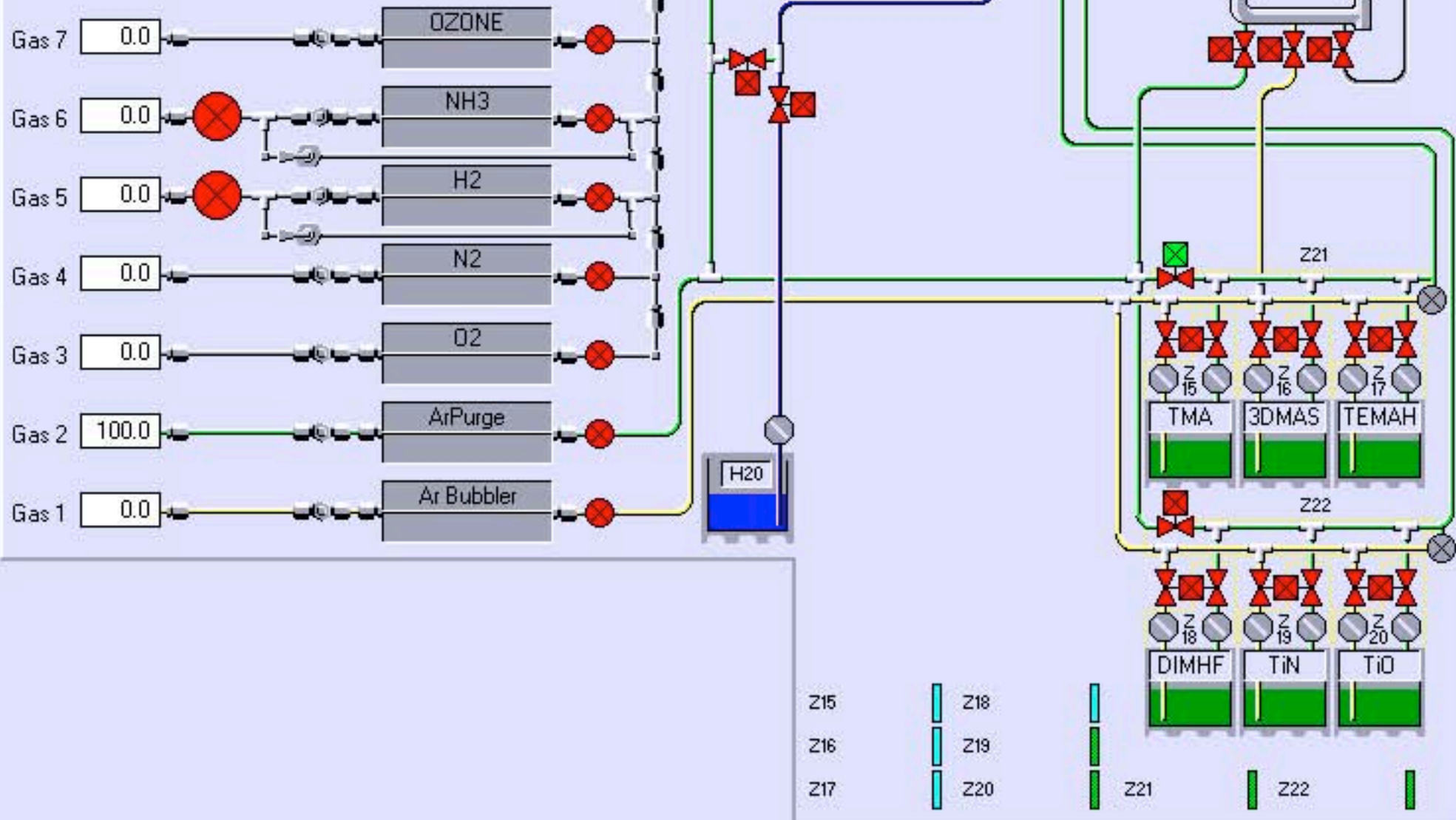
0.0

Reflected Power

AUTO

MANUAL

HOLD



Process Step Editor

Step Name

START STOP PAUSE

STEP TIME

PUMP TO PRESSURE

IGNORE TOLERANCE

LOG INTERVAL

Total Steps	Recipe Length	Total Cycles
<input type="text"/>	<input type="text"/>	<input type="text"/>
Completed	Time Left	Completed
<input type="text"/>	<input type="text"/>	<input type="text"/>

PROCESS MODE

TURBO ROUGH

TABLE HEATER Deg.C

HEATER READY

APC CONTROLLER

Set Pressure	Set Position
<input type="text" value="15.0"/>	<input type="text" value="0.0"/>
Chamber Pressure	Valve Position

Pressure Position

RF GENERATOR

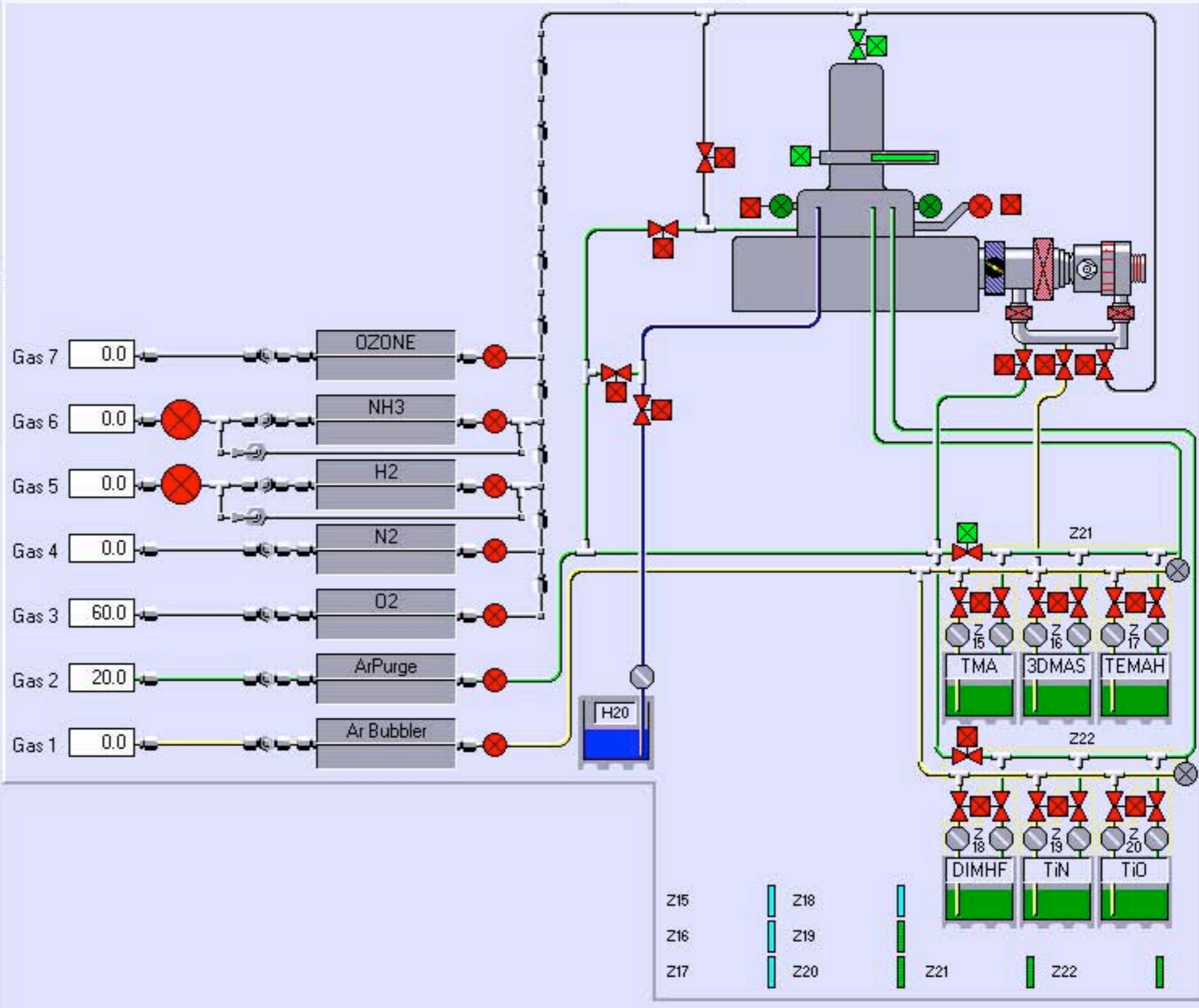
Forward Power

Reflected Power

RF AUTOMATCH

CAPACITOR 1	CAPACITOR 2
<input type="text" value="0.0"/>	<input type="text" value="0.0"/>

AUTO MANUAL HOLD



Process Step Editor

Step Name

OK Cancel

START STOP PAUSE

STEP TIME

PUMP TO PRESSURE

IGNORE TOLERANCE

LOG INTERVAL

Total Steps	Recipe Length	Total Cycles
<input type="text"/>	<input type="text"/>	<input type="text"/>
Completed	Time Left	Completed
<input type="text"/>	<input type="text"/>	<input type="text"/>

PROCESS MODE

TURBO ROUGH

TABLE HEATER Deg.C

HEATER READY

APC CONTROLLER

Set Pressure	Set Position
<input type="text" value="15.0"/>	<input type="text" value="0.0"/>
Chamber Pressure	Valve Position
<input type="text"/>	<input type="text"/>

Pressure Position

RF GENERATOR

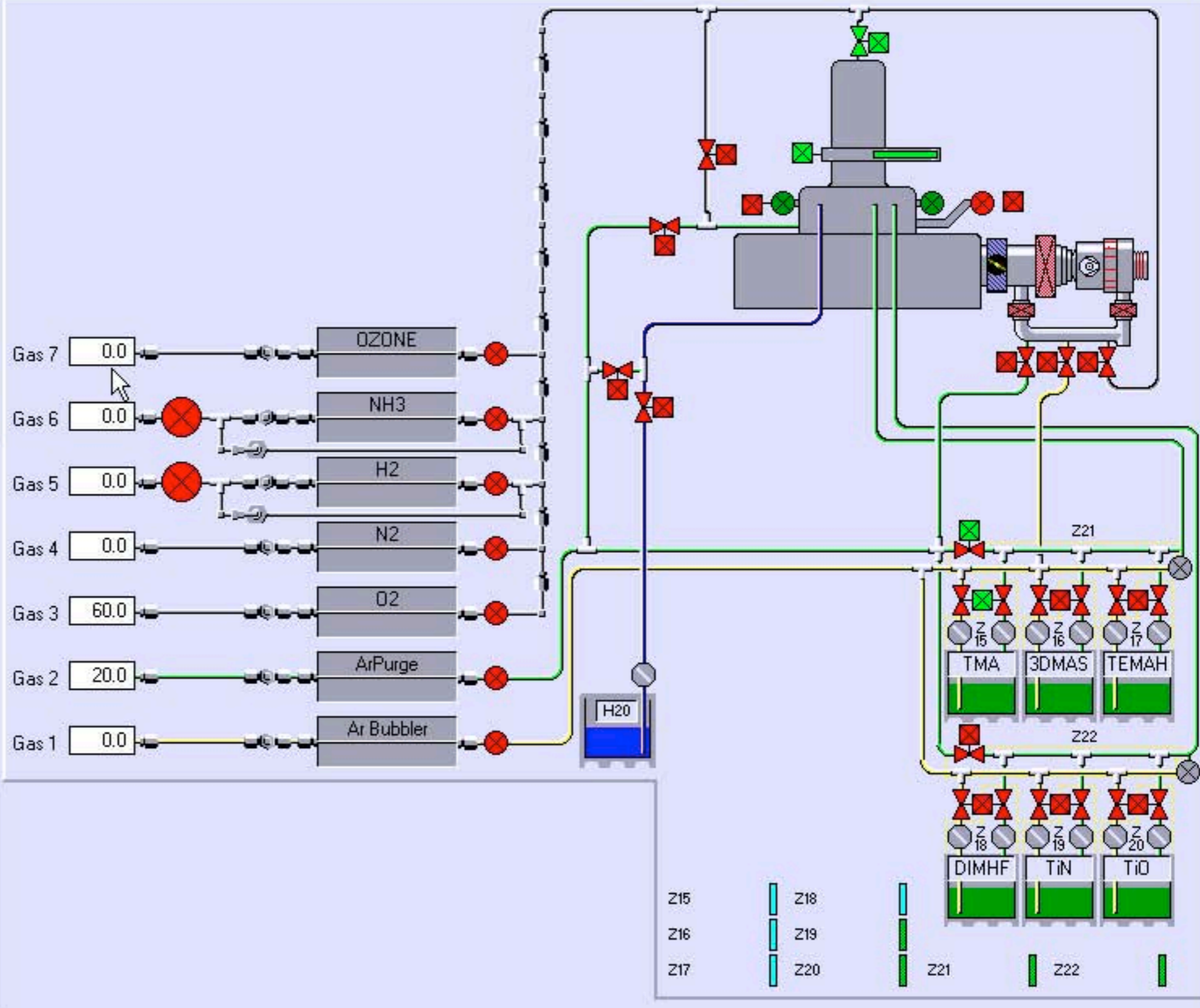
Forward Power

Reflected Power

RF AUTOMATCH

CAPACITOR 1	CAPACITOR 2
<input type="text" value="0.0"/>	<input type="text" value="0.0"/>

AUTO MANUAL HOLD



Process Step Editor

Step Name

START STOP PAUSE

STEP TIME

PUMP TO PRESSURE

IGNORE TOLERANCE

LOG INTERVAL

Total Steps

Recipe Length

Total Cycles

PROCESS MODE TURBO ROUGH

TABLE HEATER Deg.C HEATER READY

APC CONTROLLER

Set Pressure Chamber Pressure

Set Position Valve Position

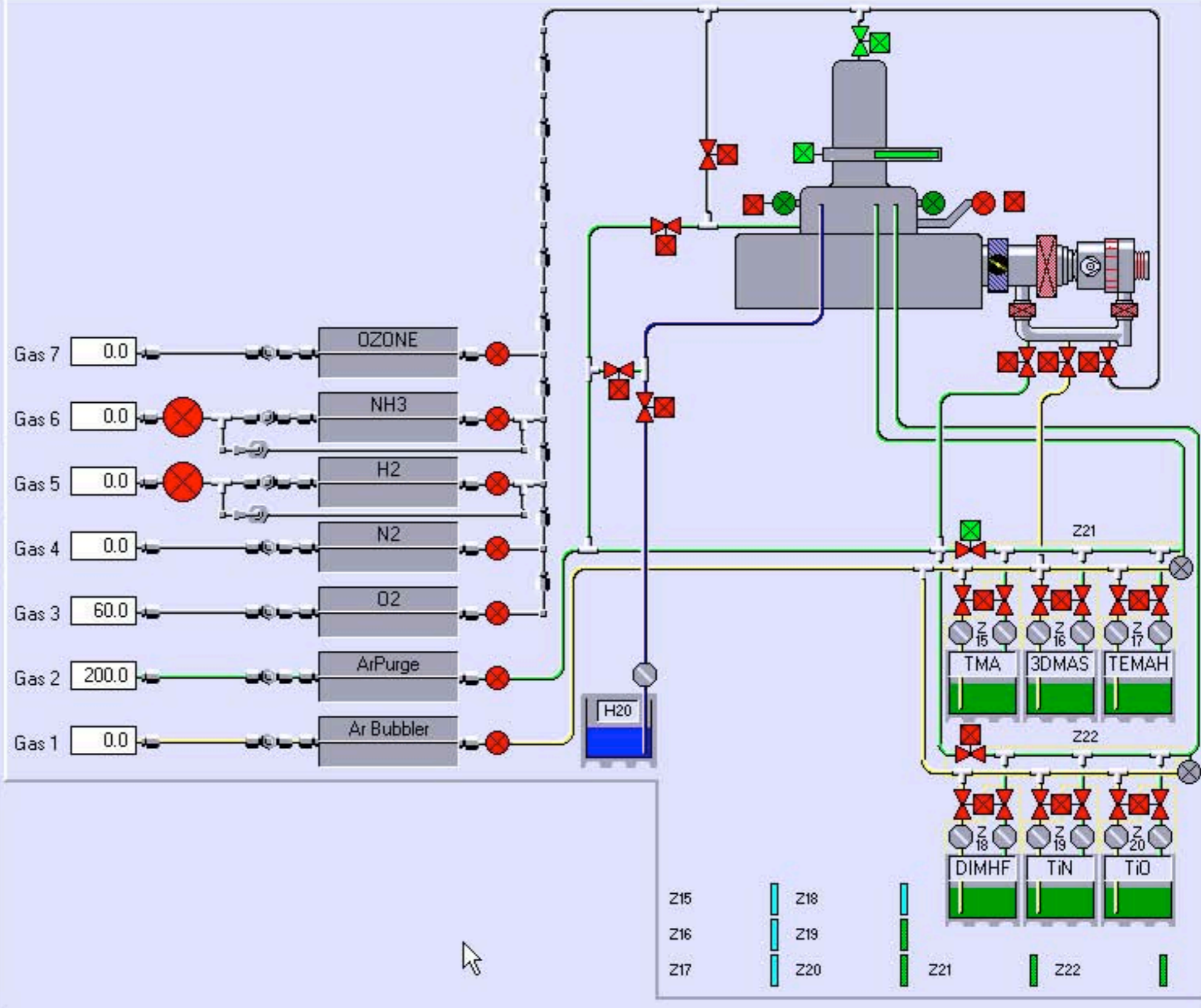
Pressure Position

RF GENERATOR Forward Power Reflected Power

RF AUTOMATCH

CAPACITOR 1 CAPACITOR 2

AUTO MANUAL HOLD



Process Step Editor

Step Name

START STOP PAUSE

PUMP TO PRESSURE
7.50e-09

IGNORE TOLERANCE

LOG INTERVAL
00 00 00 125

Total Steps	Recipe Length	Total Cycles
<input type="text"/>	<input type="text"/>	<input type="text"/>
Completed	Time Left	Completed
<input type="text"/>	<input type="text"/>	<input type="text"/>

PROCESS MODE

TURBO ROUGH

TABLE HEATER Deg.C

100 0 HEATER READY

APC CONTROLLER

Set Pressure:
Chamber Pressure:

Set Position:
Valve Position:

Pressure Position

RF GENERATOR

Forward Power:
Reflected Power:

RF AUTOMATCH

CAPACITOR 1: CAPACITOR 2:

AUTO MANUAL HOLD

