

Automatic

Manual

Recipe Name HfO2 100

Data Log Interval 00 00 00 125

Created 28-Jul-12 4:50:51 am

Recipe Length 0000:08:12.211

New

Load

Save

Run

Step Library

Edit

New

Copy

Delete

Chamber 1

- 1. pump
- 2. pre heat
- 3. set up pressure
- 4. Repeat 18
- 5. dose TEMAH
- 6. Purge TEMAH
- 7. Divert Argon
- 8. O2 Plasma
- 9. Post Plasma purge
- 10. Loop
- 11. pump
- *

Empty area for step details or chamber configuration.

Process Step Editor

Step Name

pre heal

OK Cancel

START STOP PAUSE

STEP TIME

00 03 00 000

PUMP TO PRESSURE

7.50e-09

IGNORE TOLERANCE

LOG INTERVAL

00 00 00 125

Total Steps

Completed

Recipe Length

Time Left

Total Cycles

Completed

PROCESS MODE

TURBO ROUGH

TABLE HEATER Deg.C

100 0

HEATER READY

APC CONTROLLER

Set Pressure 200.0

Chamber Pressure

Set Position 0.0

Valve Position

Pressure Position

RF GENERATOR

Forward Power 0

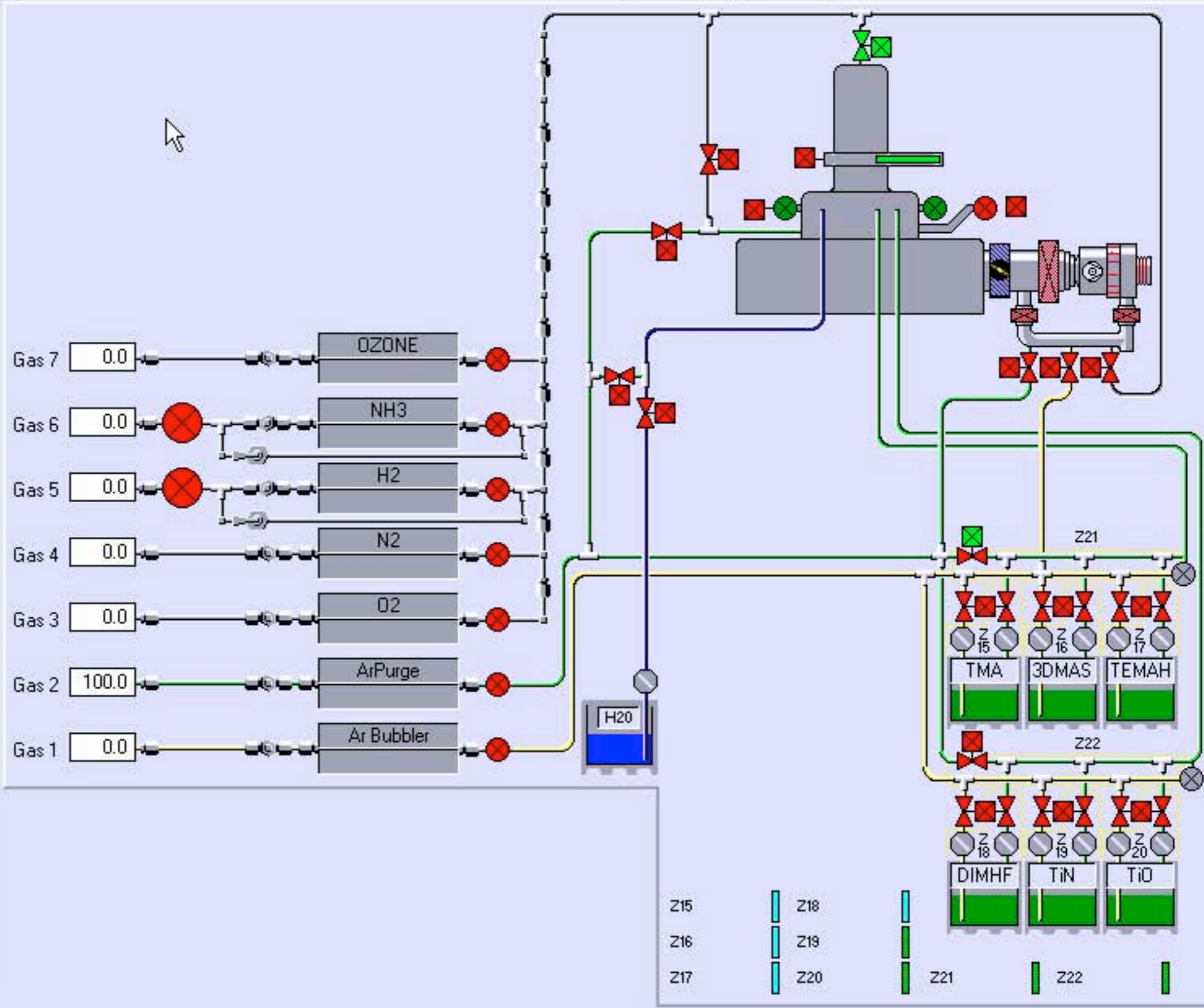
Reflected Power

RF AUTOMATCH

CAPACITOR 1 0.0

CAPACITOR 2 0.0

AUTO MANUAL HOLD



Process Step Editor

Step Name

OK Cancel

START STOP PAUSE

STEP TIME

00 01 00 010

PUMP TO PRESSURE

7.50e-09

IGNORE TOLERANCE

LOG INTERVAL

00 00 00 125

Total Steps: Completed

Recipe Length: Time Left

Total Cycles: Completed

PROCESS MODE

TURBO ROUGH

TABLE HEATER Deg.C

100 0

HEATER READY

APC CONTROLLER

Set Pressure: Chamber Pressure

Set Position: Valve Position

Pressure Position

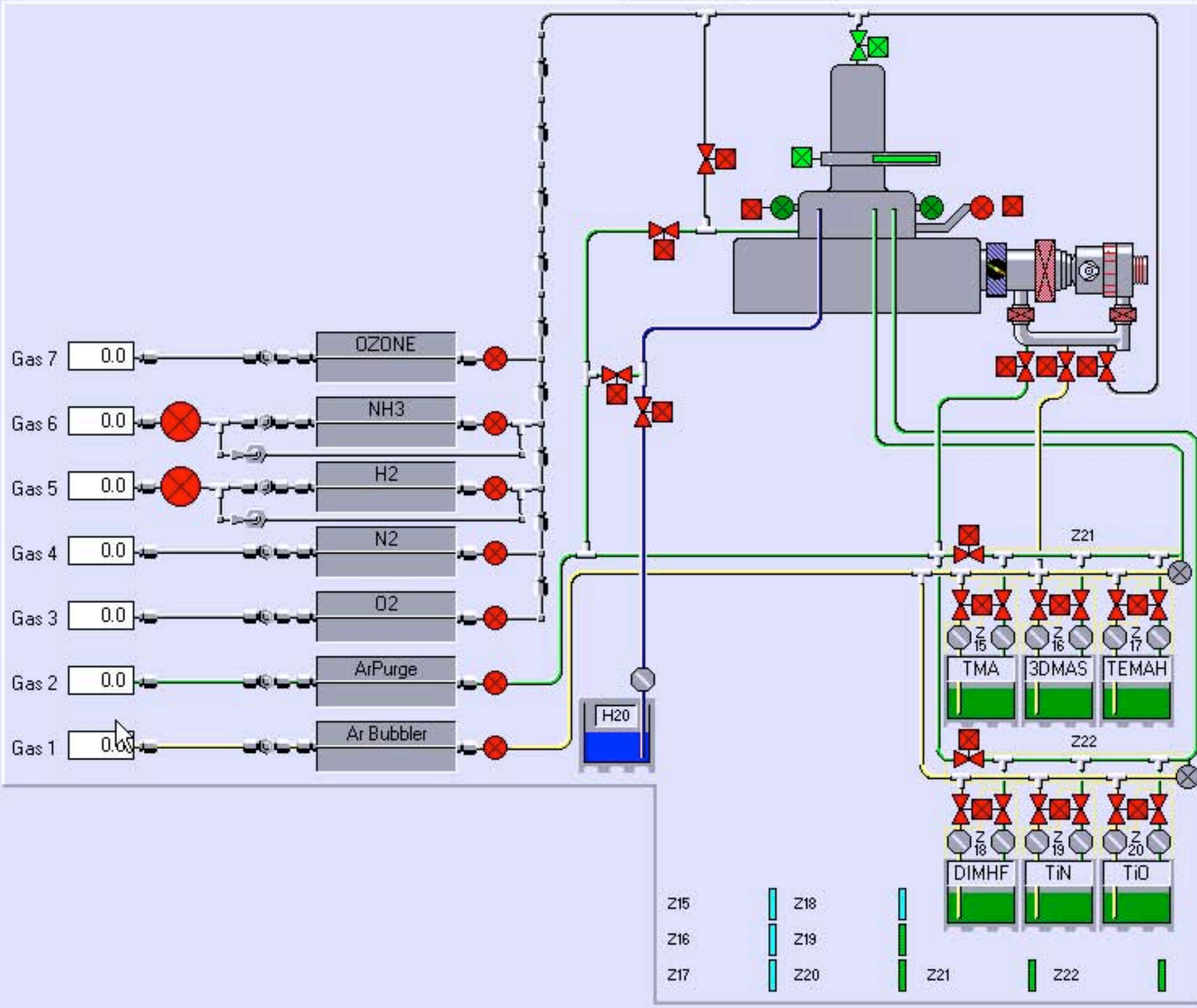
RF GENERATOR

Forward Power: Reflected Power

RF AUTOMATCH

CAPACITOR 1: CAPACITOR 2:

AUTO MANUAL HOLD



Process Step Editor

Step Name

OK Cancel

START STOP PAUSE

STEP TIME

PUMP TO PRESSURE

IGNORE TOLERANCE

LOG INTERVAL

Total Steps	Recipe Length	Total Cycles
<input type="text" value="Completed"/>	<input type="text" value="Time Left"/>	<input type="text" value="Completed"/>

PROCESS MODE

TURBO ROUGH

TABLE HEATER Deg.C

HEATER READY

APC CONTROLLER

Set Pressure
 Chamber Pressure

Set Position
 Valve Position

Pressure Position

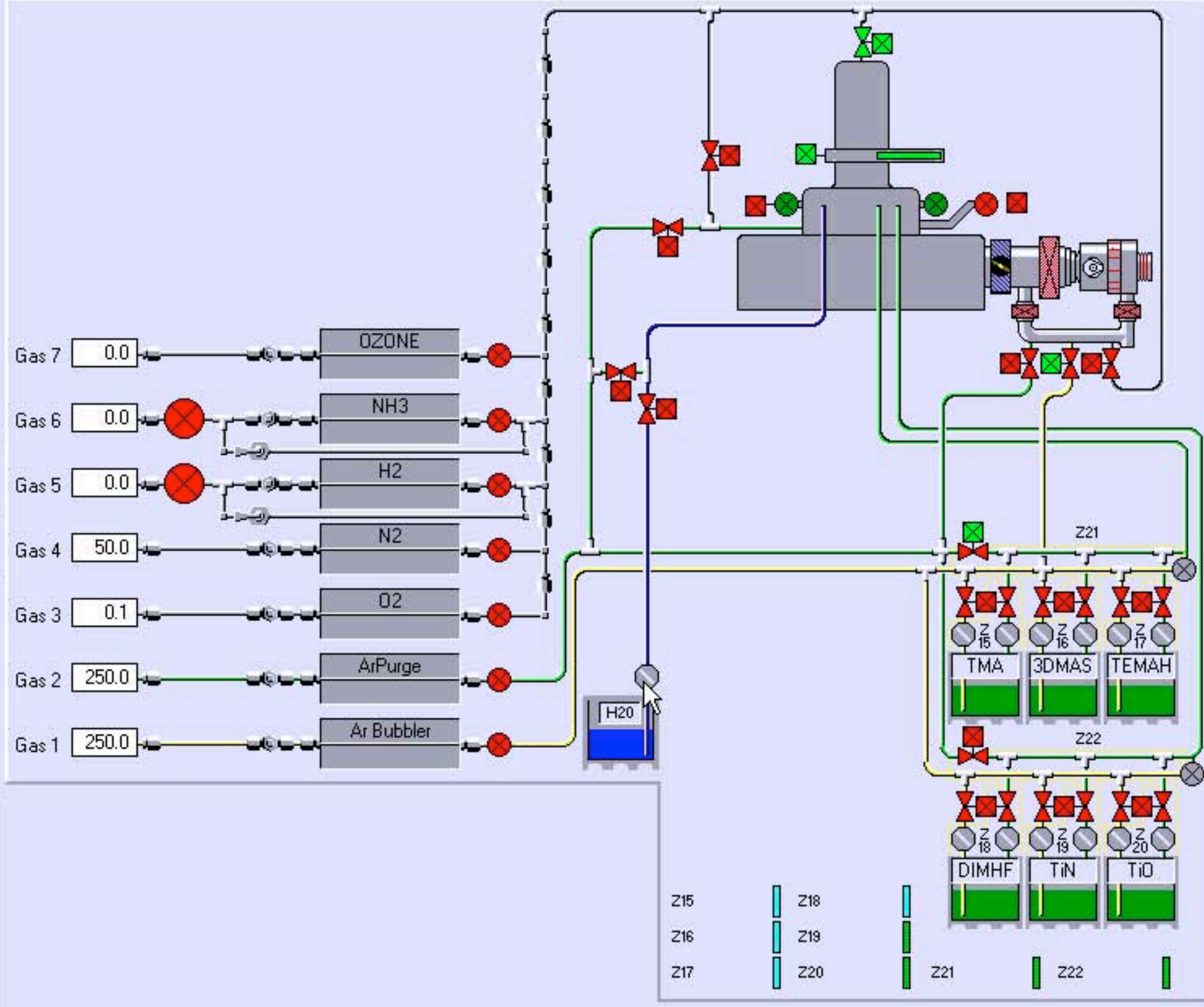
RF GENERATOR

Forward Power
 Reflected Power

RF AUTOMATCH

CAPACITOR 1 CAPACITOR 2

AUTO MANUAL HOLD



Process Step Editor

Step Name

OK Cancel

START STOP PAUSE

STEP TIME

PUMP TO PRESSURE

IGNORE TOLERANCE

LOG INTERVAL

Total Steps	Recipe Length	Total Cycles
<input type="text"/>	<input type="text"/>	<input type="text"/>
Completed	Time Left	Completed
<input type="text"/>	<input type="text"/>	<input type="text"/>

PROCESS MODE

TURBO ROUGH

TABLE HEATER Deg.C

HEATER READY

APC CONTROLLER

Set Pressure
Chamber Pressure

Set Position
Valve Position

Pressure Position

RF GENERATOR

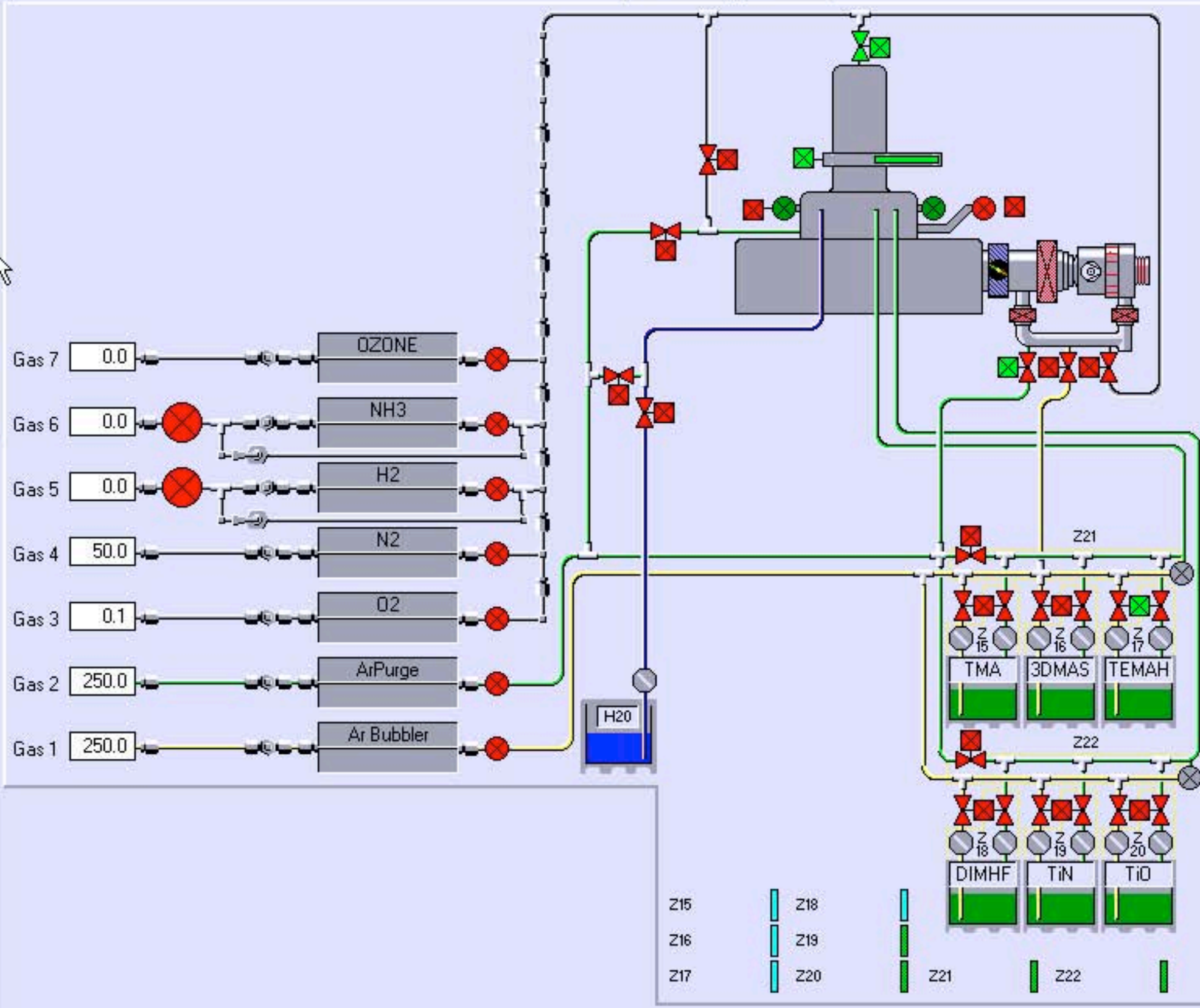
Forward Power

Reflected Power

RF AUTOMATCH

CAPACITOR 1 CAPACITOR 2

AUTO MANUAL HOLD



Process Step Editor

Step Name

OK Cancel

START STOP PAUSE

STEP TIME

PUMP TO PRESSURE

IGNORE TOLERANCE

LOG INTERVAL

Total Steps	Recipe Length	Total Cycles
<input type="text"/>	<input type="text"/>	<input type="text"/>
Completed	Time Left	Completed
<input type="text"/>	<input type="text"/>	<input type="text"/>

PROCESS MODE

TURBO ROUGH

TABLE HEATER Deg.C

HEATER READY

APC CONTROLLER

Set Pressure	Set Position
<input type="text" value="80.0"/>	<input type="text" value="0.0"/>
Chamber Pressure	Valve Position
<input type="text"/>	<input type="text"/>

Pressure Position

RF GENERATOR

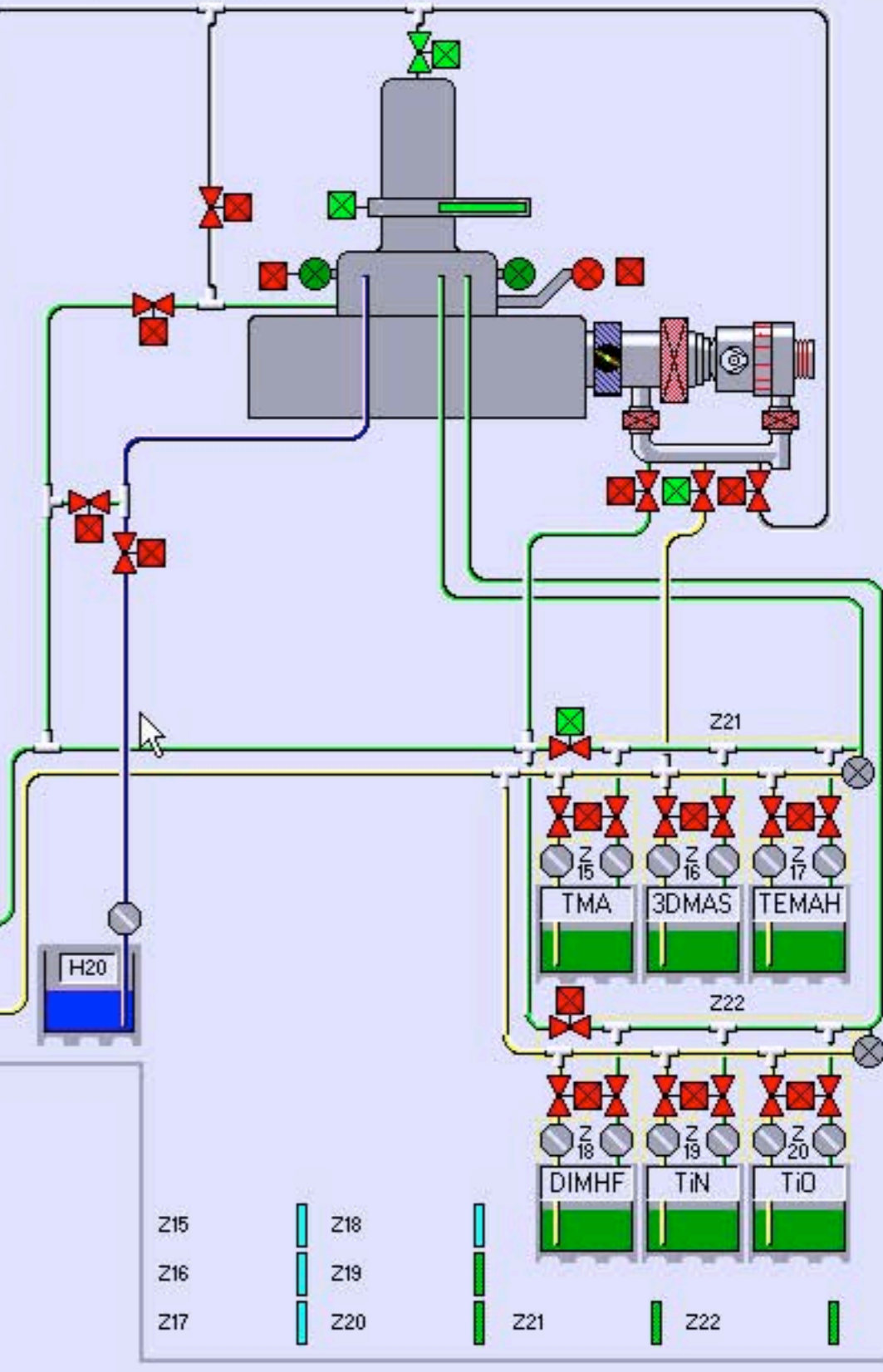
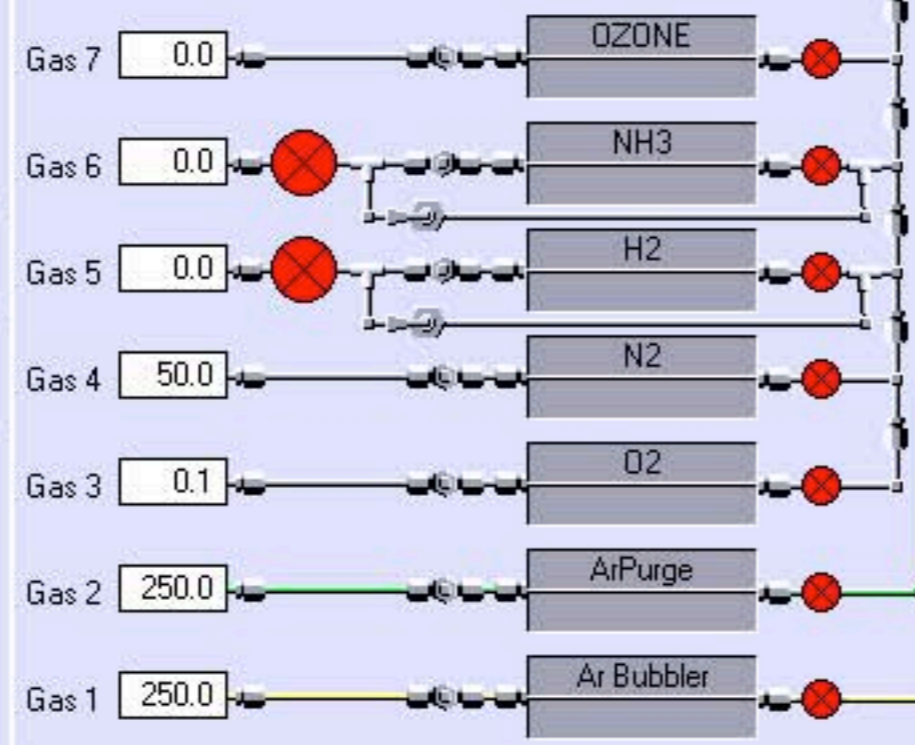
Forward Power

Reflected Power

RF AUTOMATCH

CAPACITOR 1	CAPACITOR 2
<input type="text" value="0.0"/>	<input type="text" value="0.0"/>

AUTO MANUAL HOLD



Process Step Editor

Step Name

OK Cancel

START STOP PAUSE

STEP TIME

PUMP TO PRESSURE

IGNORE TOLERANCE

LOG INTERVAL

Total Steps	Recipe Length	Total Cycles
<input type="text"/>	<input type="text"/>	<input type="text"/>
Completed	Time Left	Completed
<input type="text"/>	<input type="text"/>	<input type="text"/>

PROCESS MODE

TURBO ROUGH

TABLE HEATER Deg.C

HEATER READY

APC CONTROLLER

Set Pressure
Chamber Pressure

Set Position
Valve Position

Pressure Position

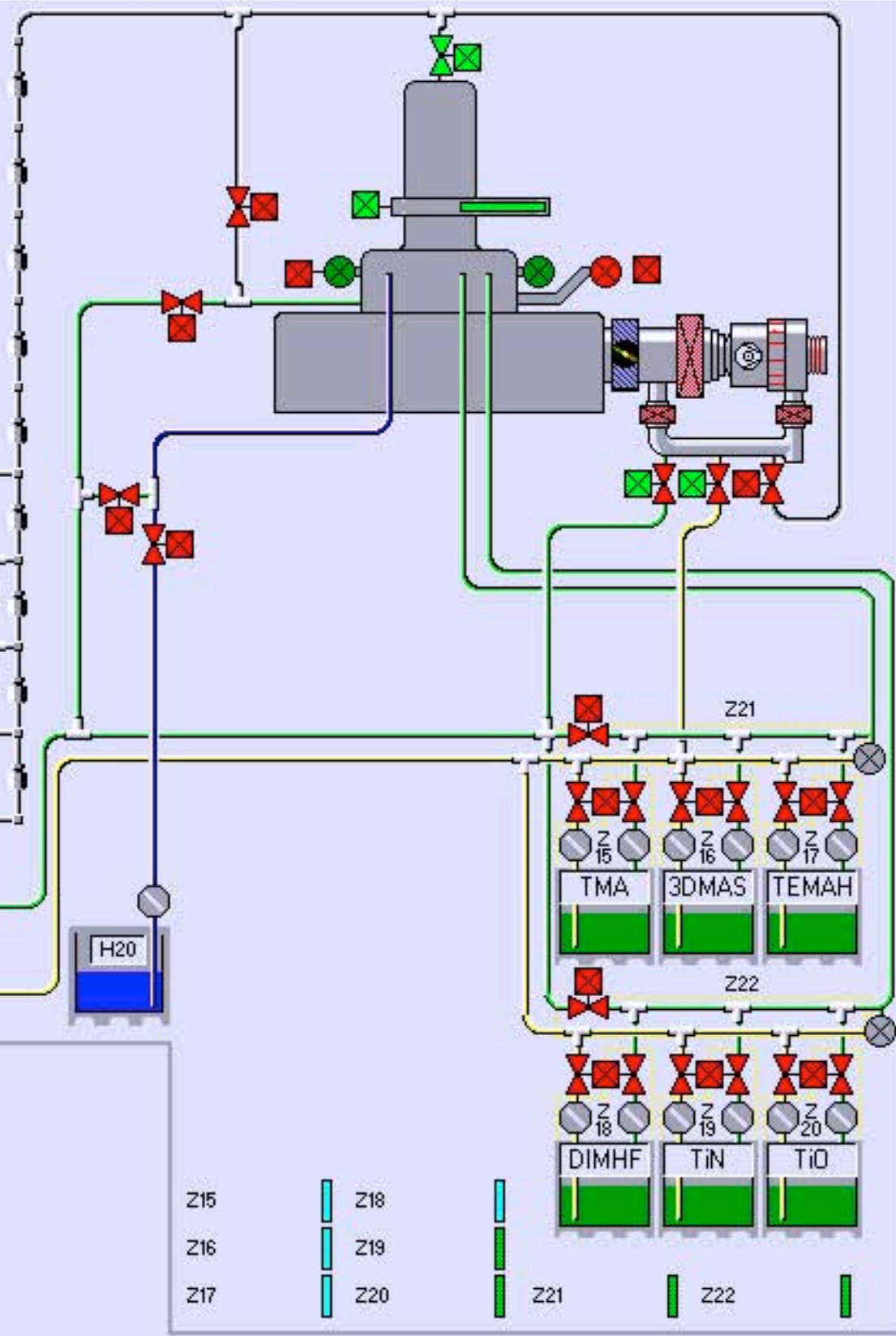
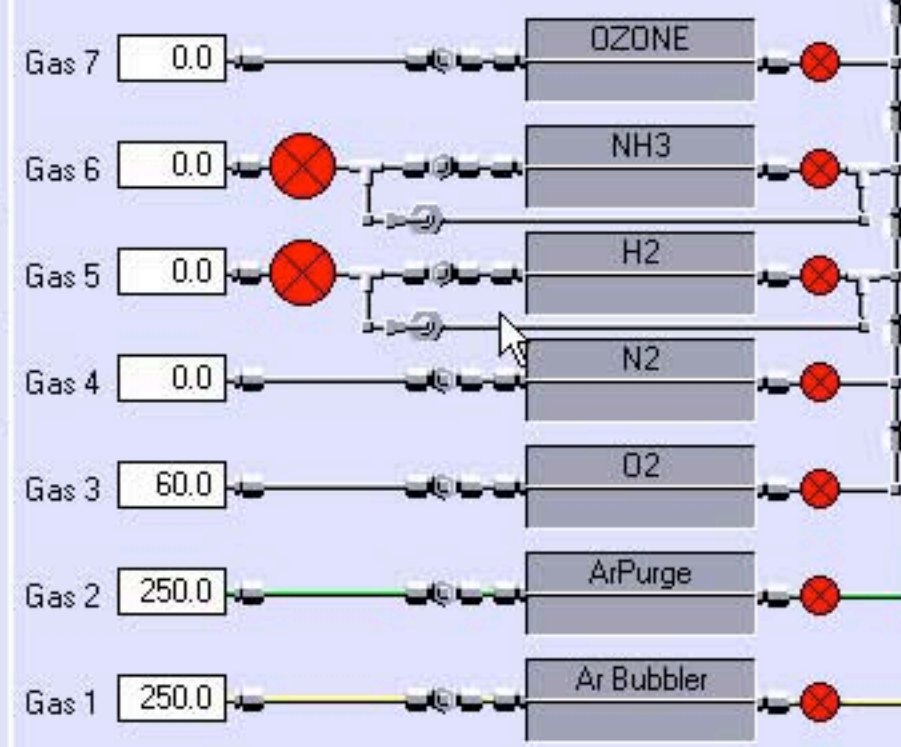
RF GENERATOR

Forward Power
Reflected Power

RF AUTOMATCH

CAPACITOR 1 CAPACITOR 2

AUTO MANUAL HOLD



Process Step Editor

Step Name

OK Cancel

START STOP PAUSE

STEP TIME

PUMP TO PRESSURE

IGNORE TOLERANCE

LOG INTERVAL

Total Steps:
 Recipe Length:
 Total Cycles:
 Completed: Time Left: Completed:

PROCESS MODE
 TURBO ROUGH

TABLE HEATER Deg.C
 HEATER READY

APC CONTROLLER

Set Pressure:
 Chamber Pressure:

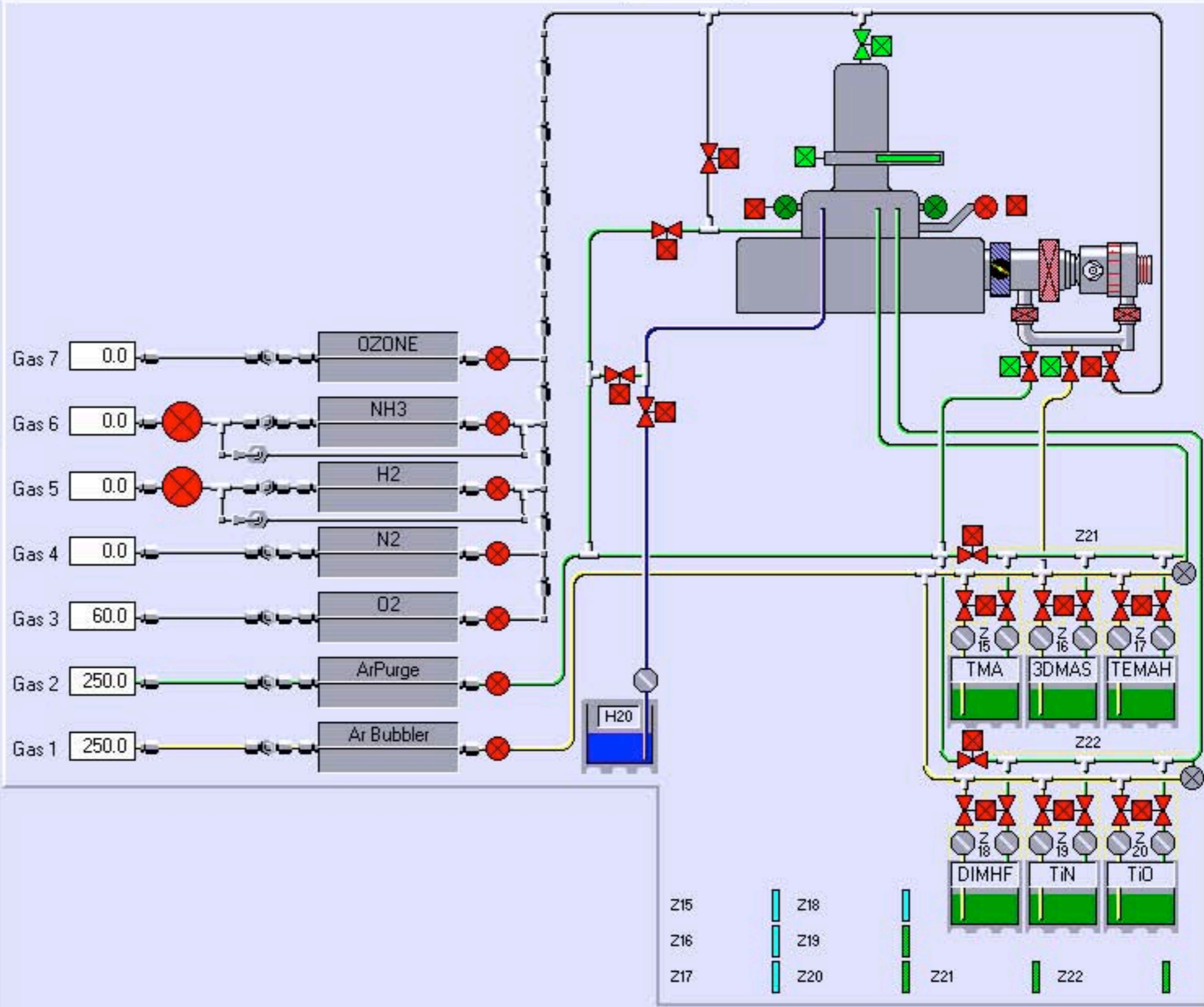
Set Position:
 Valve Position:

Pressure Position

RF GENERATOR
 Forward Power:
 Reflected Power:

RF AUTOMATCH
 CAPACITOR 1: CAPACITOR 2:

AUTO MANUAL HOLD



Process Step Editor

Step Name

START STOP PAUSE

STEP TIME

PUMP TO PRESSURE

IGNORE TOLERANCE

LOG INTERVAL

Total Steps
 Recipe Length
 Total Cycles

PROCESS MODE

TABLE HEATER Deg.C

APC CONTROLLER

Set Pressure
 Chamber Pressure

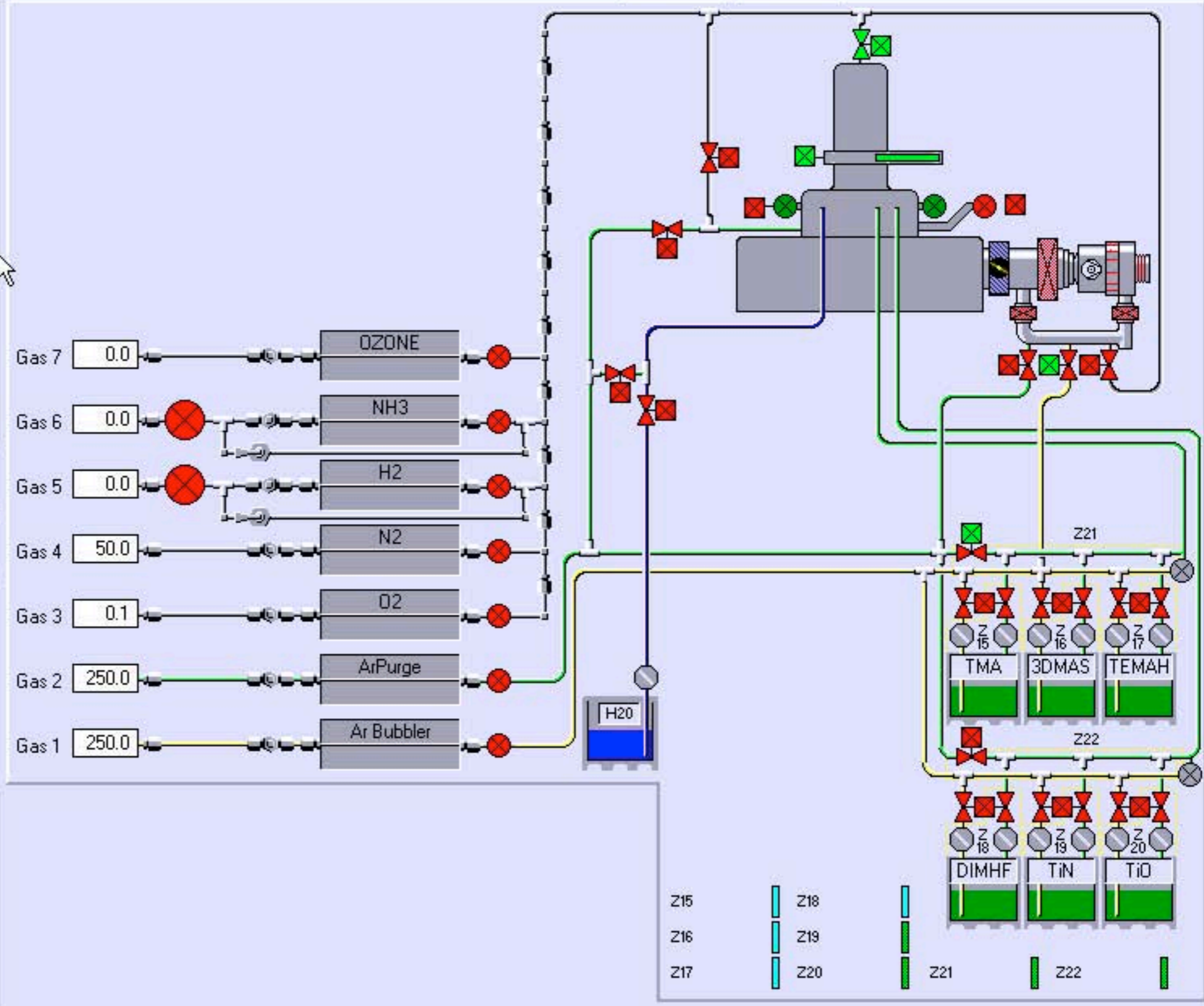
Set Position
 Valve Position

RF GENERATOR

 Reflected Power

RF AUTOMATCH

CAPACITOR 1 CAPACITOR 2



Process Step Editor

Step Name

OK Cancel

START STOP PAUSE

STEP TIME

PUMP TO PRESSURE

IGNORE TOLERANCE

LOG INTERVAL

Total Steps	Recipe Length	Total Cycles
<input type="text"/>	<input type="text"/>	<input type="text"/>
Completed	Time Left	Completed
<input type="text"/>	<input type="text"/>	<input type="text"/>

PROCESS MODE

TURBO ROUGH

TABLE HEATER Deg.C

HEATER READY

APC CONTROLLER

Set Pressure	Set Position
<input type="text" value="0.0"/>	<input type="text" value="0.0"/>
Chamber Pressure	Valve Position
<input type="text"/>	<input type="text"/>

Pressure Position

RF GENERATOR

Forward Power

Reflected Power

RF AUTOMATCH

CAPACITOR 1	CAPACITOR 2
<input type="text" value="0.0"/>	<input type="text" value="0.0"/>

AUTO MANUAL HOLD

