

Automatic

Manual

Recipe Name HfO2 300

Data Log Interval 00 00 00 125

Created 9-Aug-12 11:08:24 pm

Recipe Length 0000:13:26.611

New

Load

Save

Run

Step Library

Edit

New

Copy

Delete

Chamber 1

- 1. pump
- 2. pre heat
- 3. set up pressure
- 4. Repeat 44
- 5. dose TEMAH
- 6. Purge TEMAH
- 7. Divert Argon
- 8. O2 Plasma
- 9. Post Plasma purge
- 10. Loop
- 11. pump
- *

Navigation icons: Home, Up, Down, Refresh, Stop, Run

Empty area for Chamber 1 with navigation icons on the right: Home, Up, Down, Refresh, Stop, Run

Process Step Editor

Step Name

OK

Cancel

START STOP PAUSE

STEP TIME

PUMP TO PRESSURE

IGNORE TOLERANCE

LOG INTERVAL

Total Steps	Recipe Length	Total Cycles
<input type="text"/>	<input type="text"/>	<input type="text"/>
Completed	Time Left	Completed
<input type="text"/>	<input type="text"/>	<input type="text"/>

PROCESS MODE

TURBO ROUGH

TABLE HEATER Deg.C

HEATER READY

APC CONTROLLER

Set Pressure
Chamber Pressure

Set Position
Valve Position

Pressure Position

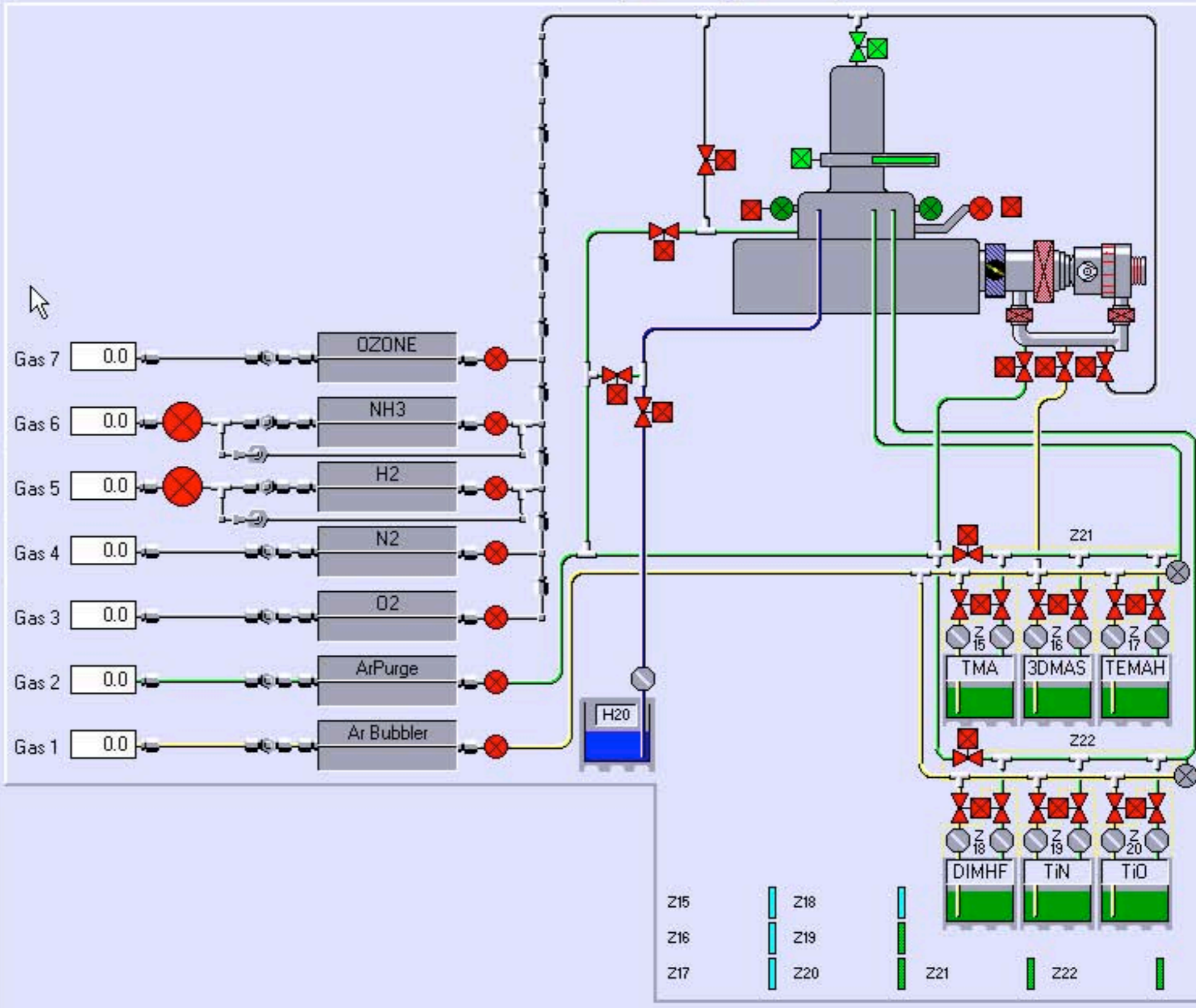
RF GENERATOR

Forward Power
Reflected Power

RF AUTOMATCH

CAPACITOR 1 CAPACITOR 2

AUTO MANUAL HOLD



Process Step Editor

Step Name

OK Cancel

START STOP PAUSE

STEP TIME: 00 03 00 000

PUMP TO PRESSURE: 7.50e-09

IGNORE TOLERANCE

LOG INTERVAL: 00 00 00 125

Total Steps: Completed

Recipe Length: Time Left

Total Cycles: Completed

PROCESS MODE: TURBO ROUGH

TABLE HEATER Deg.C: 300 0

HEATER READY

APC CONTROLLER

Set Pressure: 200.0 Chamber Pressure

Set Position: 0.0 Valve Position

Pressure Position

RF GENERATOR

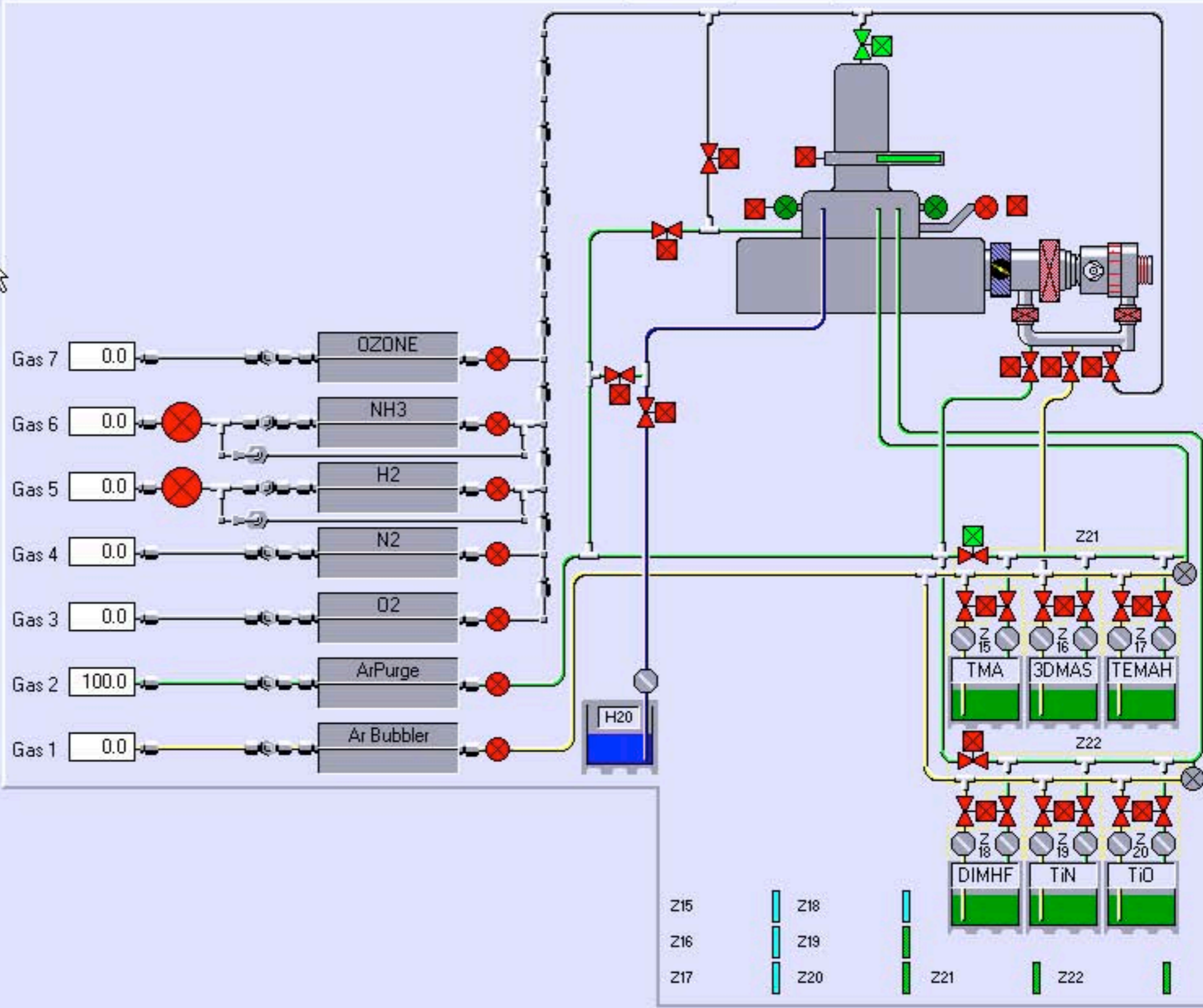
Forward Power: 0

Reflected Power:

RF AUTOMATCH

CAPACITOR 1: 0.0 CAPACITOR 2: 0.0

AUTO MANUAL HOLD



Process Step Editor

Step Name

OK Cancel

START STOP PAUSE

STEP TIME

PUMP TO PRESSURE

IGNORE TOLERANCE

LOG INTERVAL

Total Steps

Recipe Length

Total Cycles

PROCESS MODE

TURBO ROUGH

TABLE HEATER Deg.C

HEATER READY

APC CONTROLLER

Set Pressure

Chamber Pressure

Set Position

Valve Position

Pressure Position

RF GENERATOR

Forward Power

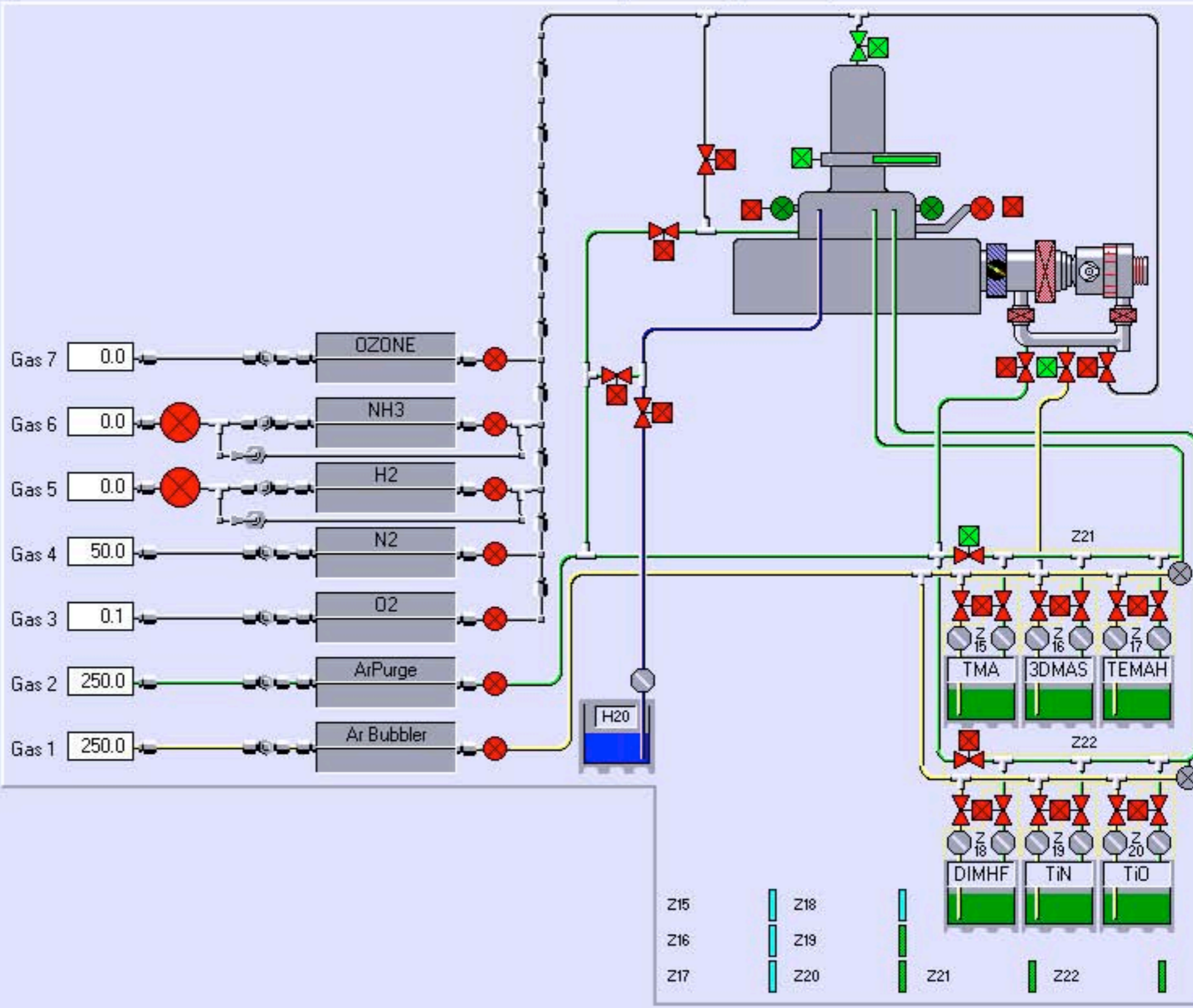
Reflected Power

RF AUTOMATCH

CAPACITOR 1

CAPACITOR 2

AUTO MANUAL HOLD



Process Step Editor

Step Name OK Cancel

START STOP PAUSE

STEP TIME

PUMP TO PRESSURE

IGNORE TOLERANCE

LOG INTERVAL

Total Steps:
 Recipe Length:
 Total Cycles:

Completed: Time Left: Completed:

PROCESS MODE
 TURBO ROUGH

TABLE HEATER Deg.C
 HEATER READY

APC CONTROLLER

Set Pressure:
 Chamber Pressure:

Set Position:
 Valve Position:

Pressure Position

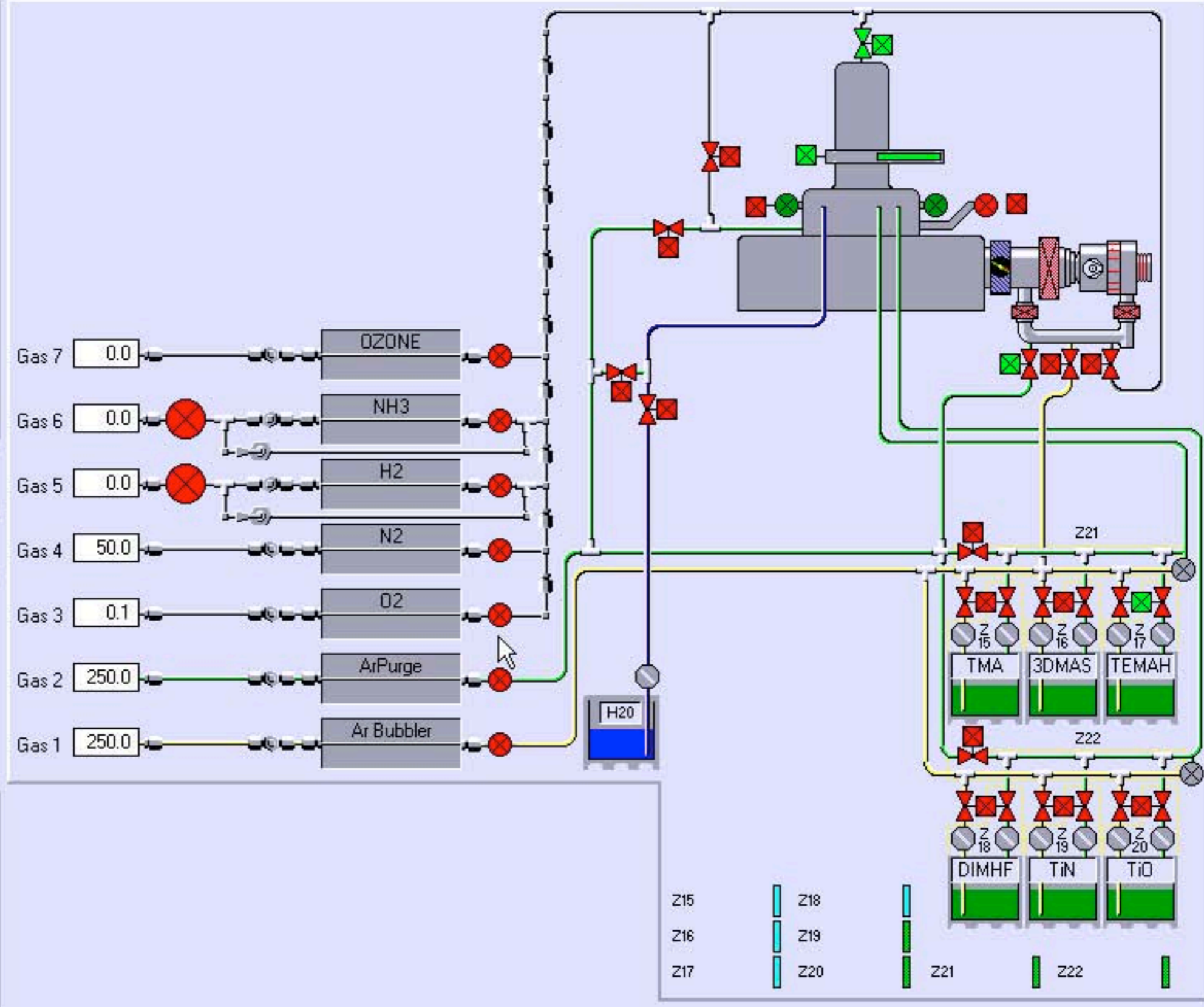
RF GENERATOR

Reflected Power:

RF AUTOMATCH

CAPACITOR 1: CAPACITOR 2:

AUTO MANUAL HOLD



Process Step Editor

Step Name

OK Cancel

START STOP PAUSE

STEP TIME:

PUMP TO PRESSURE:

IGNORE TOLERANCE

LOG INTERVAL:

Total Steps:

Recipe Length:

Total Cycles:

PROCESS MODE: TURBO ROUGH

TABLE HEATER Deg.C: HEATER READY

APC CONTROLLER

Set Pressure: Chamber Pressure

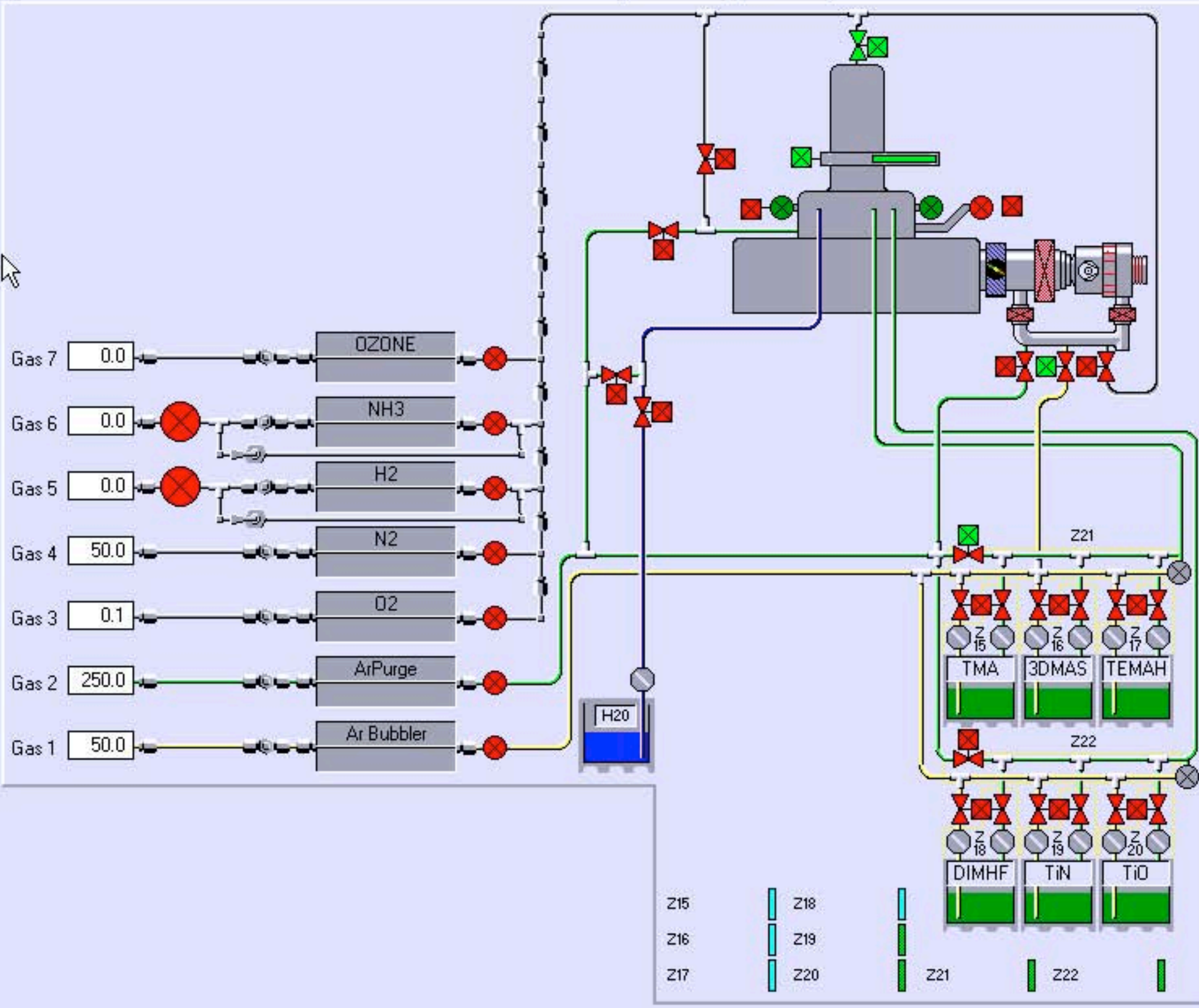
Set Position: Valve Position

Pressure Position

RF GENERATOR: Forward Power Reflected Power

RF AUTOMATCH: CAPACITOR 1 CAPACITOR 2

AUTO MANUAL HOLD



Process Step Editor

Step Name

START STOP PAUSE

STEP TIME

PUMP TO PRESSURE

IGNORE TOLERANCE

LOG INTERVAL

Total Steps	Recipe Length	Total Cycles
<input type="text"/>	<input type="text"/>	<input type="text"/>
Completed	Time Left	Completed
<input type="text"/>	<input type="text"/>	<input type="text"/>

PROCESS MODE

TURBO ROUGH

TABLE HEATER Deg.C

HEATER READY

APC CONTROLLER

Set Pressure	Set Position
<input type="text" value="15.0"/>	<input type="text" value="0.0"/>
Chamber Pressure	Valve Position
<input type="text"/>	<input type="text"/>

Pressure Position

RF GENERATOR

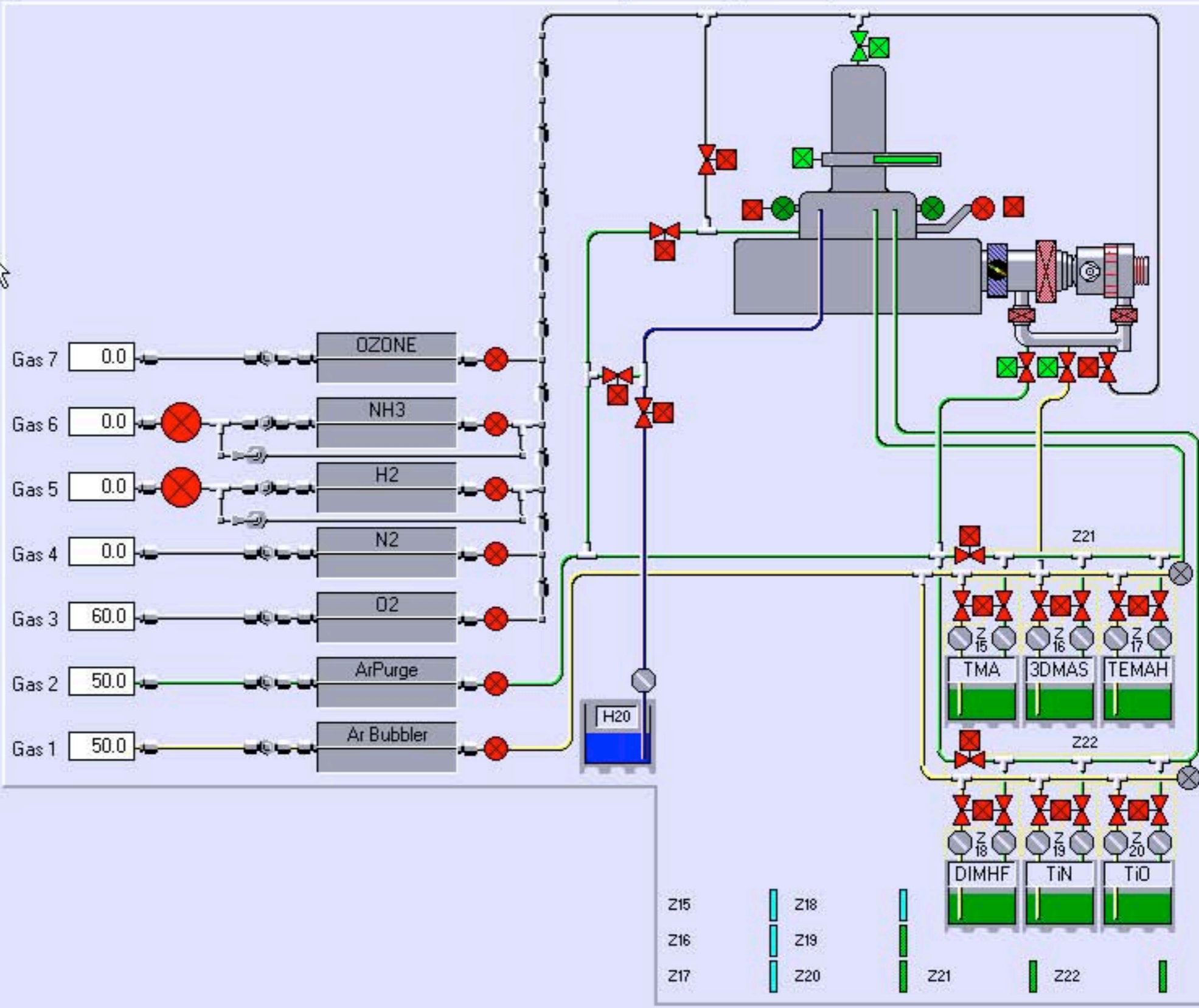
Forward Power

Reflected Power

RF AUTOMATCH

CAPACITOR 1	CAPACITOR 2
<input type="text" value="0.0"/>	<input type="text" value="0.0"/>

AUTO MANUAL HOLD



Process Step Editor

Step Name

OK

Cancel

START STOP PAUSE

STEP TIME
00 00 03 000

PUMP TO PRESSURE
7.50e-09

IGNORE TOLERANCE

LOG INTERVAL
00 00 00 125

Total Steps	Recipe Length	Total Cycles
Completed	Time Left	Completed

PROCESS MODE

TURBO ROUGH

TABLE HEATER Deg.C

300 0 **HEATER READY**

APC CONTROLLER

Set Pressure: 15.0
Chamber Pressure:

Set Position: 0.0
Valve Position:

Pressure Position

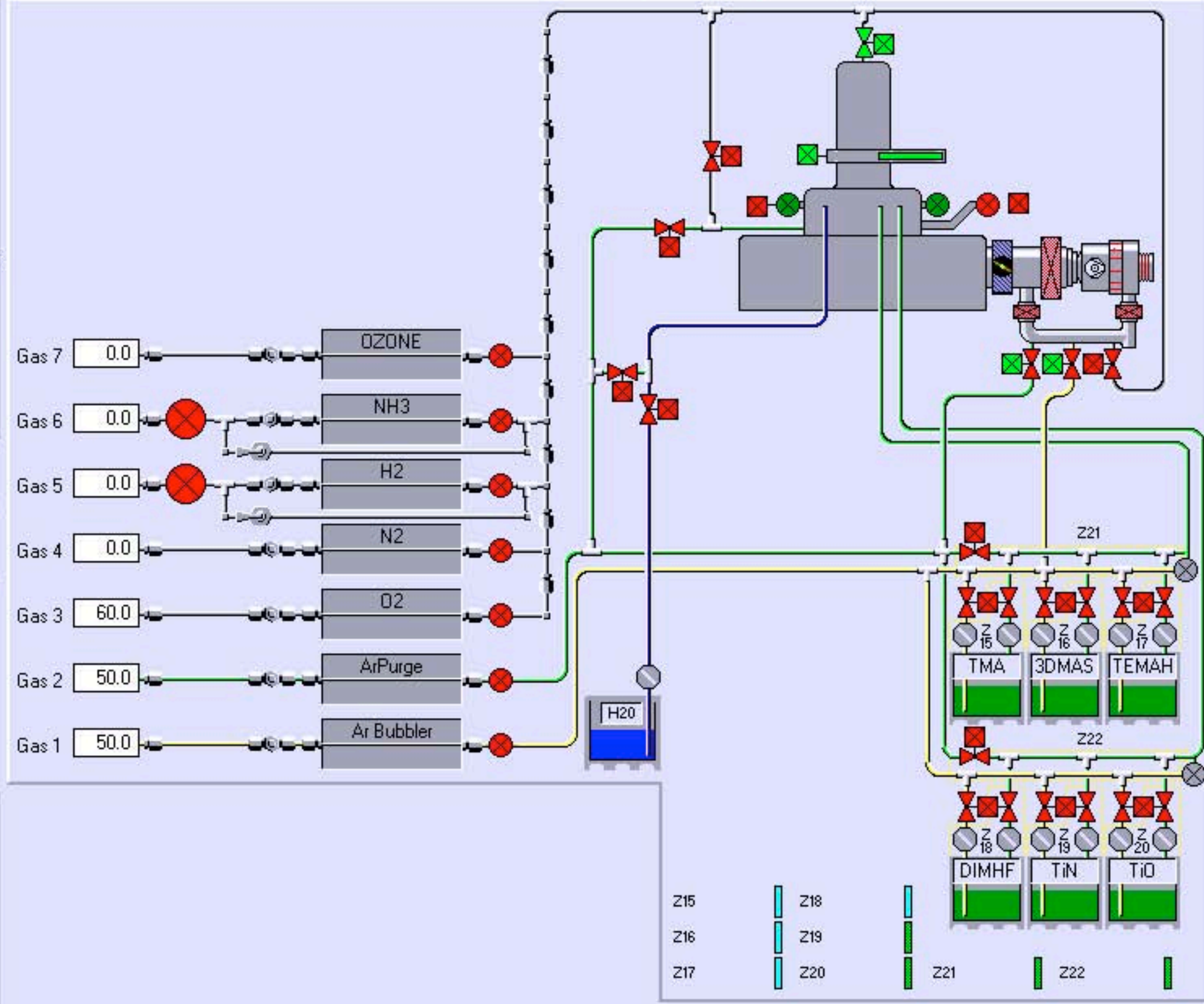
RF GENERATOR

Forward Power: 250
Reflected Power:

RF AUTOMATCH

CAPACITOR 1: 0.0
CAPACITOR 2: 0.0

AUTO MANUAL HOLD



Process Step Editor

Step Name

OK Cancel

START STOP PAUSE

PUMP TO PRESSURE

STEP TIME

IGNORE TOLERANCE

LOG INTERVAL

Total Steps	Recipe Length	Total Cycles
<input type="text"/>	<input type="text"/>	<input type="text"/>
Completed	Time Left	Completed
<input type="text"/>	<input type="text"/>	<input type="text"/>

PROCESS MODE
 TURBO ROUGH

TABLE HEATER Deg.C
 HEATER READY

APC CONTROLLER

Set Pressure	Set Position
<input type="text" value="80.0"/>	<input type="text" value="0.0"/>
Chamber Pressure	Valve Position
<input type="text"/>	<input type="text"/>

Pressure Position

RF GENERATOR

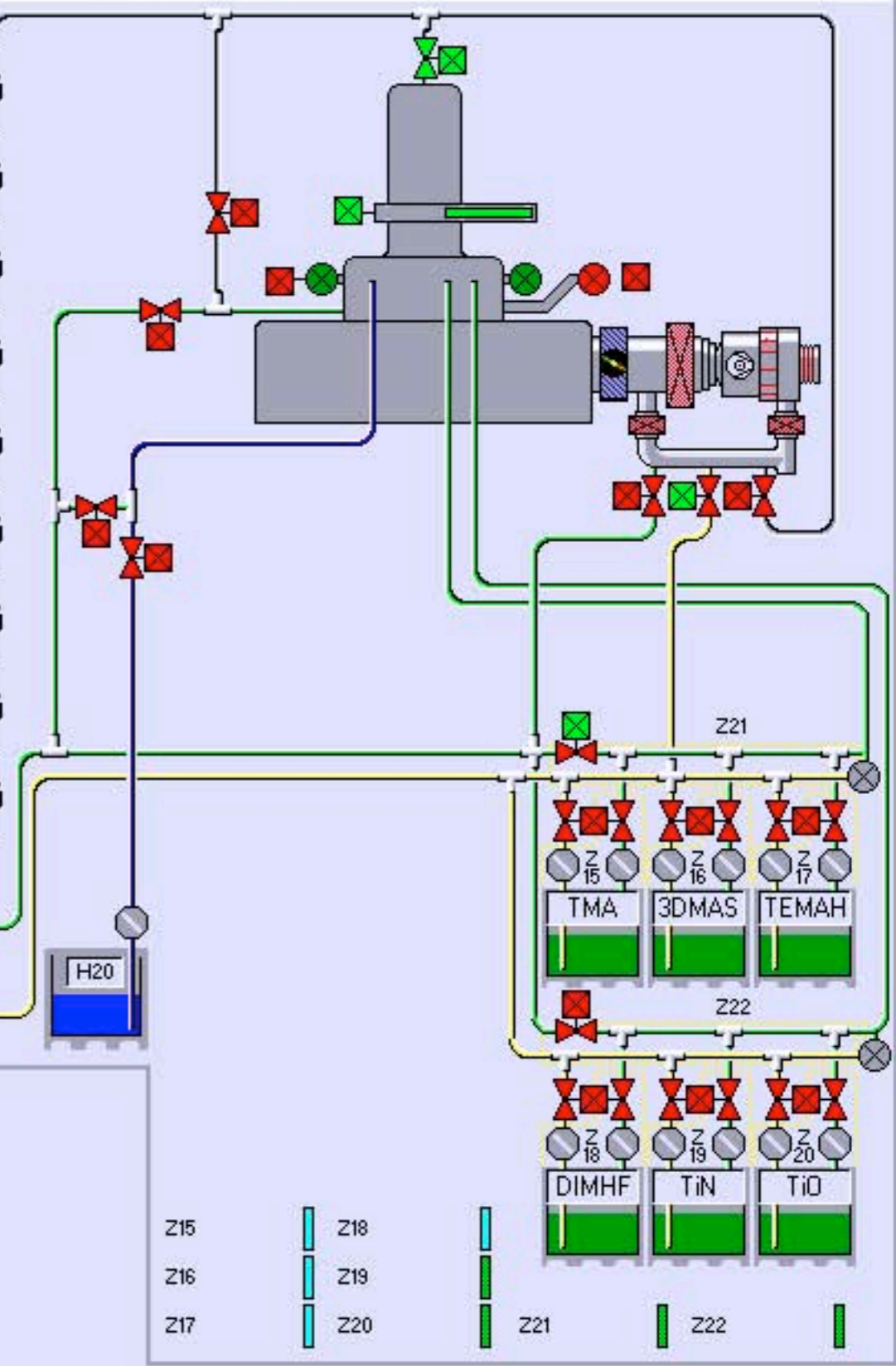
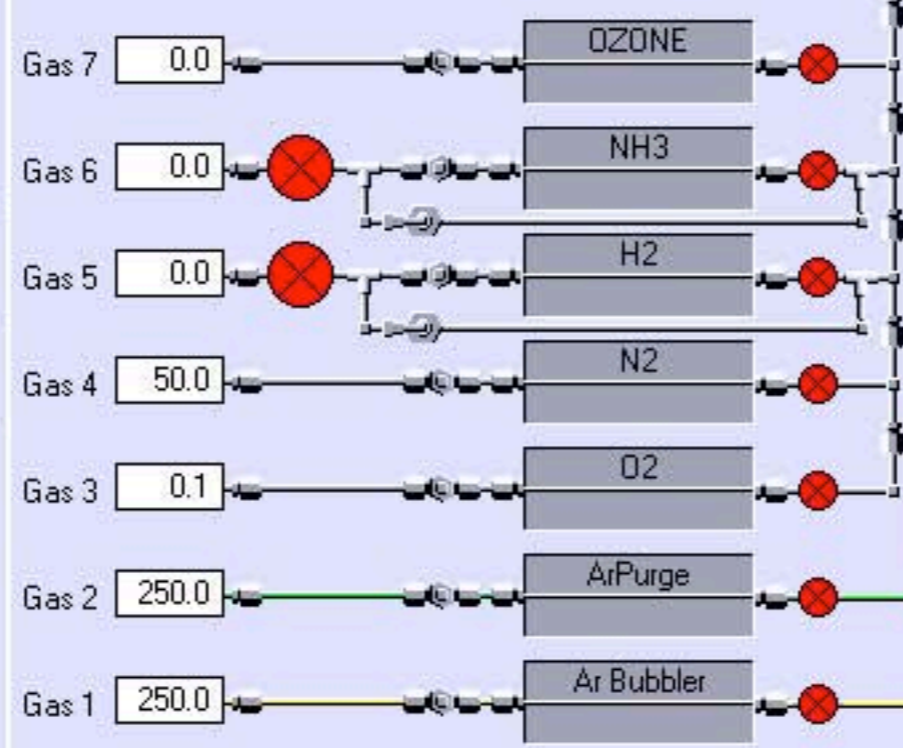
Forward Power

Reflected Power

RF AUTOMATCH

CAPACITOR 1	CAPACITOR 2
<input type="text" value="0.0"/>	<input type="text" value="0.0"/>

AUTO MANUAL HOLD



Process Step Editor

Step Name

OK Cancel

START STOP PAUSE

STEP TIME

PUMP TO PRESSURE

IGNORE TOLERANCE

LOG INTERVAL

Total Steps:
 Recipe Length:
 Total Cycles:

Completed: Time Left: Completed:

PROCESS MODE

TURBO ROUGH

TABLE HEATER Deg.C

HEATER READY

APC CONTROLLER

Set Pressure:
 Chamber Pressure:

Set Position:
 Valve Position:

Pressure Position

RF GENERATOR

Forward Power:
 Reflected Power:

RF AUTOMATCH

CAPACITOR 1: CAPACITOR 2:

AUTO MANUAL HOLD

